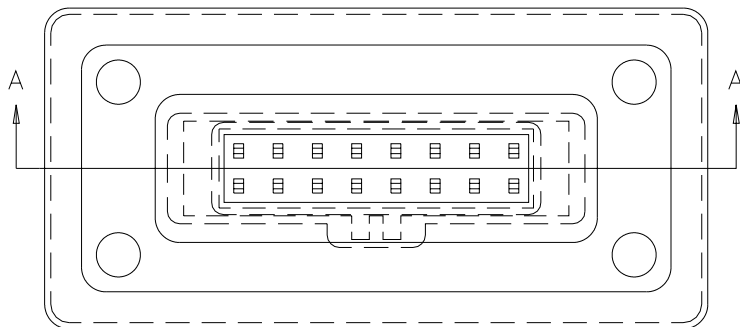


NOTES: UNLESS OTHERWISE NOTED

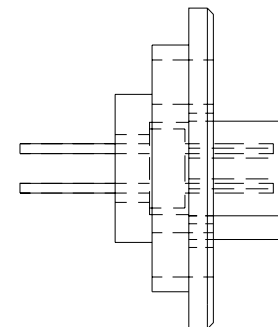
1. MACHINED SURFACE ROUGHNESS 64  
O-RING GROOVES AND SURFACES 32
2. REMOVE ALL BURRS/SHARP CORNERS

BILL OF MATERIAL

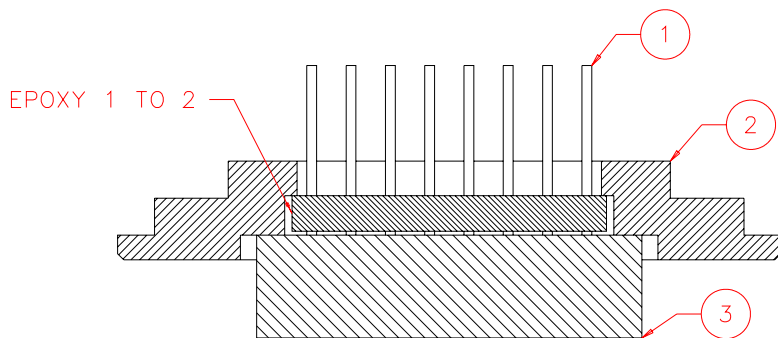
NO.	REQ'D	REF DRW	DESCRIPTION	MATERIAL
N/A	N/A	SN6-001A	WIREMOUNT SOCKET MOUNT 3452	N/A
1	1	N/A	HEADER 16 PIN(3M)	N/A
2	1	SN6-011A	WIREMOUNT SOCKET 16 PIN	ALU 6061-T6
3	1	N/A	WIREMOUNT SOCKET 3452(3M)	N/A



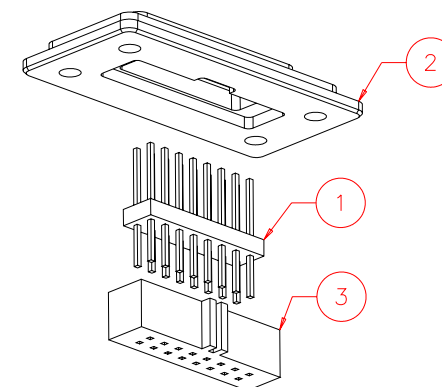
FRONT: SCALE 2:1



RIGHT: SCALE 2:1



SECTION A-A: SCALE 2:1



ISOVIEW 3: SCALE FULL

REVDATE: N/A	REVISION: N/A
DATE: 05/17/99	<b>INSTITUTE FOR ASTRONOMY</b>
DESIGN: STAHLBERGER	2680 WOODLAWN DR. HONOLULU, HI 96822
DRAWN: STAHLBERGER	INSTRUMENT: SPEX - CROSS DISPERSED SPECTROGRAPH
APPR'D: J. RAYNER	PART NAME: WIREMOUNT SOCKET MOUNT 3452
	TELESCOPE: IRTF
<b>TOLERANCES</b>	
X.X	+/- .015
X.XX	+/- .005
X.XXX	+/- .002
ANGLE	+/- 30 min
FRACTION	+/- 1/32
DRW NO: SN6-001A	SCALE: NOTED
SIZE: A	JOS NO: 725
	SHEET: 1 OF 1

SN0-001B
NEXT ASSY

PLOT: 10/19/99