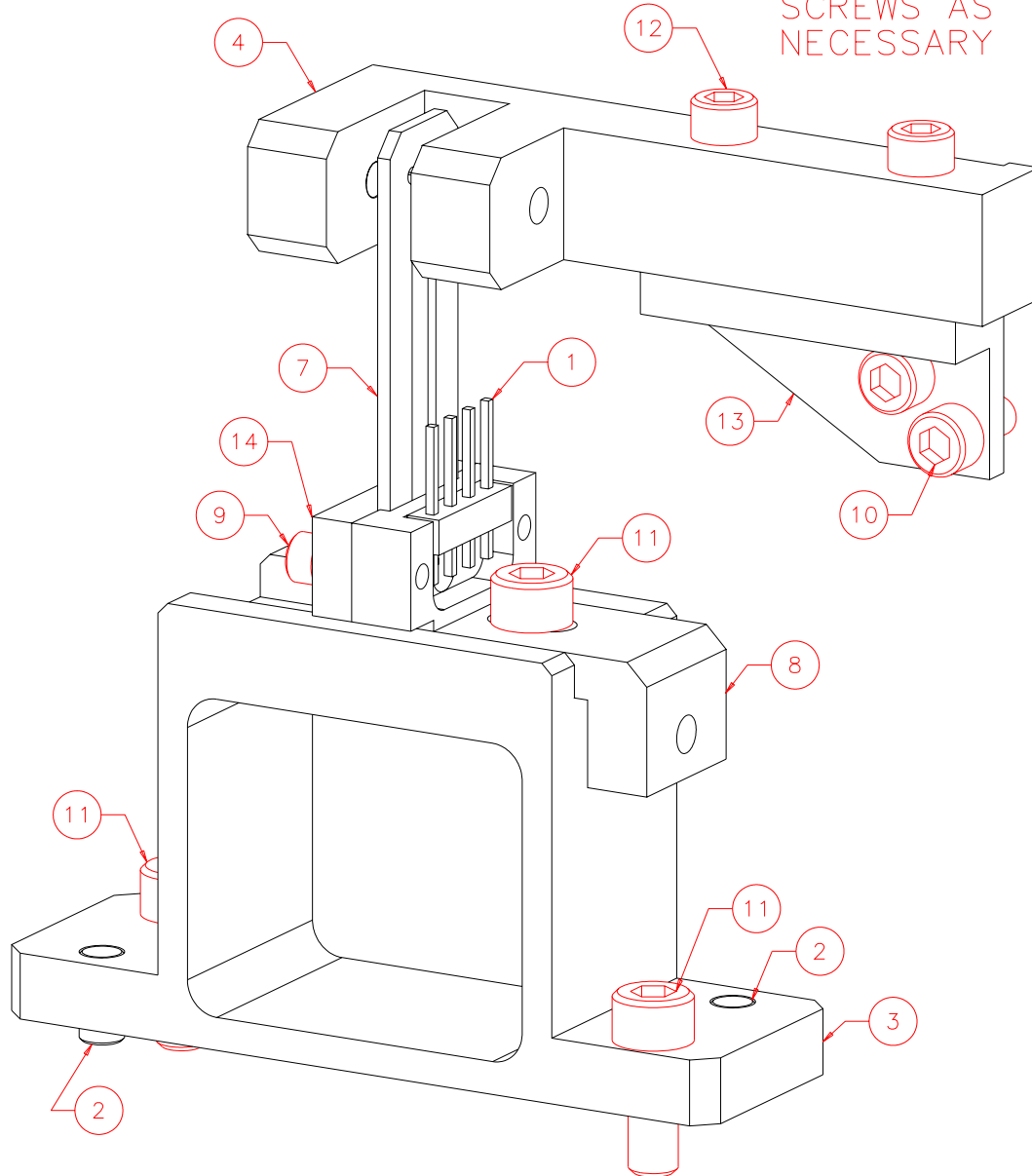


NOTES: UNLESS OTHERWISE NOTED

1. MACHINED SURFACE ROUGHNESS 64
O-RING GROOVES AND SURFACES 32
2. REMOVE ALL BURRS/SHARP CORNERS

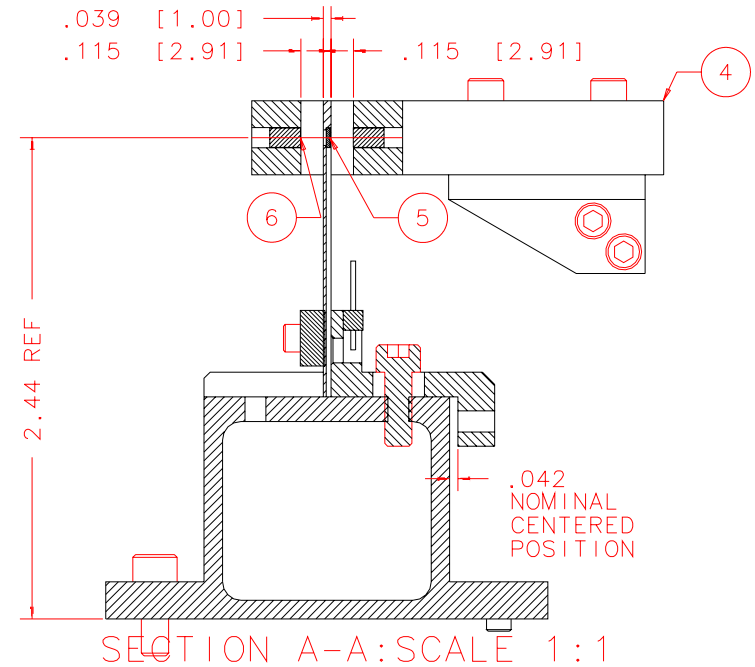
EPOXY 6 TO 4
EPOXY 1 TO 8
EPOXY 5 TO 7
USE VENTED
SCREWS AS
NECESSARY



PLOT: 10/19/99 ISOMETRIC: SCALE ~ 2:1

BILL OF MATERIAL

NO.	REQ'D	REF DRW	DESCRIPTION	MATERIAL
N/A	1	SN7-001A	HALL SENSOR FLEX STAGE	N/A
1	1	N/A	.10 HEADER	PLASTIC/BRASS
2	2	N/A	DOWEL PIN 1/8x1/4 D14-6(BERG)	STAINLESS
3	1	SN7-011A	FLEX STAGE HALL MOUNT	ALU 6061-T6
4	1	SN7-012A	FLEX STAGE MAGNET MOUNT	ALU 6061-T6
5	1	N/A	HALL DEVICE	SEMICOND
6	2	N/A	HALL MAGNET	COBALT ALLOY
7	1	SN7-013A	HALL SENSOR TAB	ALU 6061-T6
8	1	SN7-014A	HALL SLIDER	ALU 6061-T6
9	2	N/A	HEX SOCKET HEAD 2-56 x 1/4	STAINLESS
10	2	N/A	HEX SOCKET HEAD 4-40 x 1/4	STAINLESS
11	3	N/A	HEX SOCKET HEAD 6-32 x 3/8	STAINLESS
12	2	N/A	HEX SOCKET HEAD 4-40 x 1/2	STAINLESS
13	1	SN7-015A	MAGNET MOUNT BRACKET	ALU 6061-T6
14	1	SN7-016A	TAB CLAMP	ALU 6061-T6



REVDATE: N/A	REVISION: N/A
DATE: 04/29/99	INSTITUTE FOR ASTRONOMY
DESIGN: STAHLBERGER	2680 WOODLAWN DR. HONOLULU, HI 96822
DRAWN: STAHLBERGER	INSTRUMENT: SPEX - CROSS DISPERSED SPECTROGRAPH
APPR'D: J. RAYNER	PART NAME: HALL SENSOR FLEX STAGE
TOLERANCES	TELESCOPE: IRTF
X.X +/- .015	
X.XX +/- .005	
X.XXX +/- .002	
ANGLE +/- 30 min	
FRACTION +/- 1/32	
DRW NO: SN7-001A	SCALE: 1:1
SIZE: A	JOS NO: 725
	SHEET: 2 OF 2

SN3-001B
NEXT ASSY