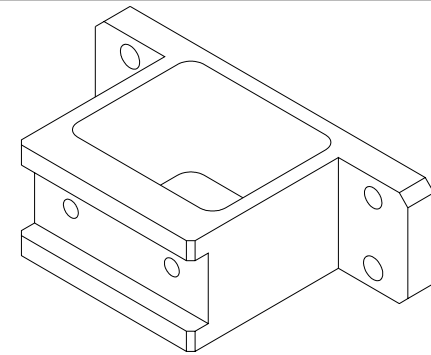
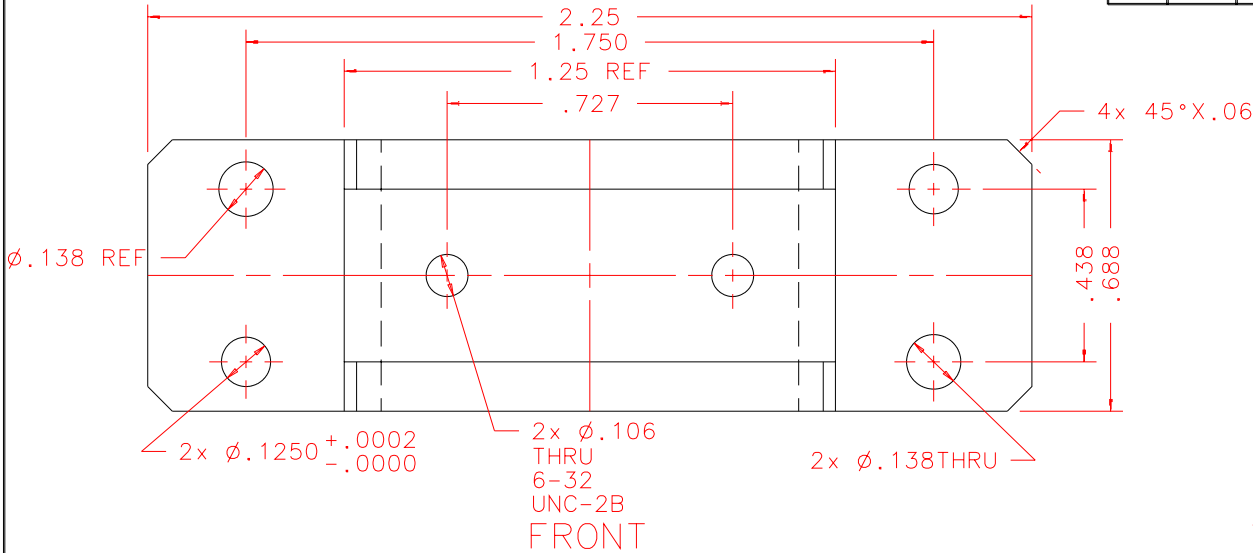


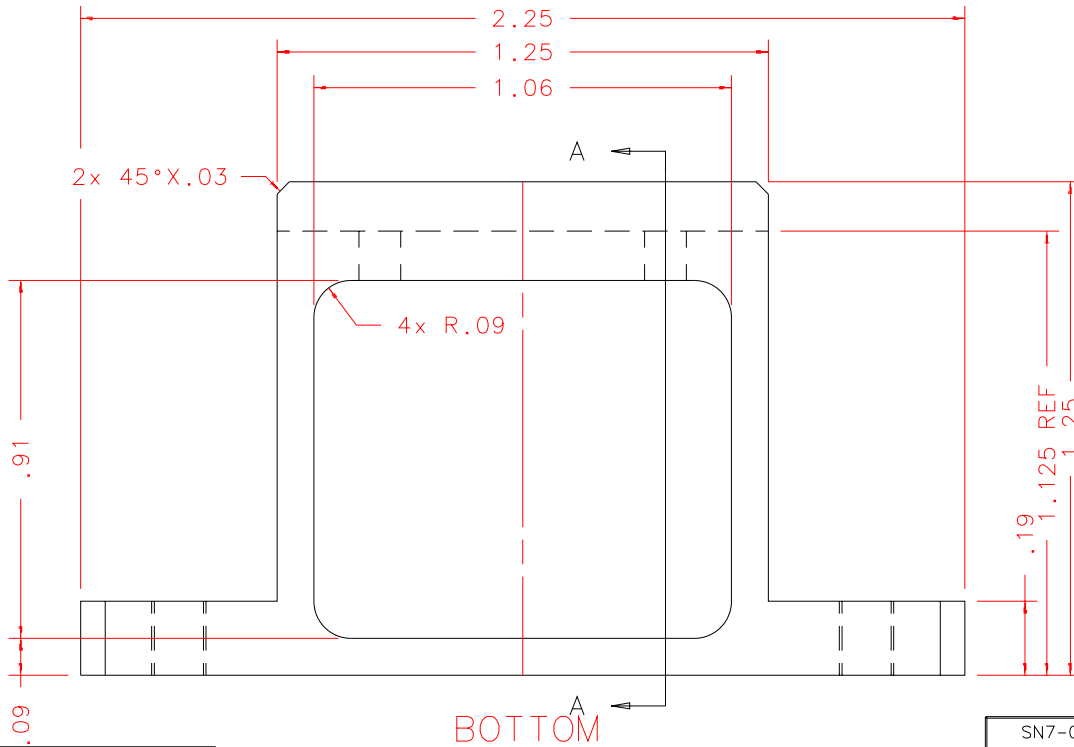
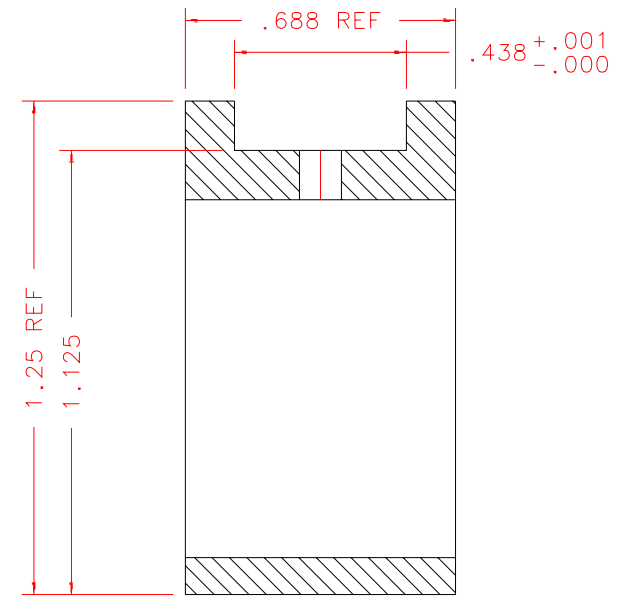
NOTES: UNLESS OTHERWISE NOTED

1. MACHINED SURFACE ROUGHNESS 64
O-RING GROOVES AND SURFACES 32
2. REMOVE ALL BURRS/SHARP CORNERS

BILL OF MATERIAL				
NO.	REQ'D	REF DRW	DESCRIPTION	MATERIAL
N/A	1	SN7-011A	FLEX STAGE HALL MOUNT	ALU 6061-T6



ISO: SCALE 1/2



REVDATE: N/A	REVISION: N/A
DATE: 04/29/99	INSTITUTE FOR ASTRONOMY
DESIGN: STAHLBERGER	2680 WOODLAWN DR. HONOLULU, HI 96822
DRAWN: STAHLBERGER	INSTRUMENT: SPEX - CROSS DISPERSED SPECTROGRAPH
APPR'D: J. RAYNER	PART NAME: FLEX STAGE HALL MOUNT
TOLERANCES	TELESCOPE: IRTF
X.X +/- .015	DRW NO: SN7-011A
X.XX +/- .005	SCALE: 2:1
X.XXX +/- .002	SIZE: A
ANGLE +/- 30 min	JOS NO: 725
FRACTION +/- 1/32	SHEET: 1 OF 1

SN7-001A
NEXT ASSY

PLOT: 10/19/99