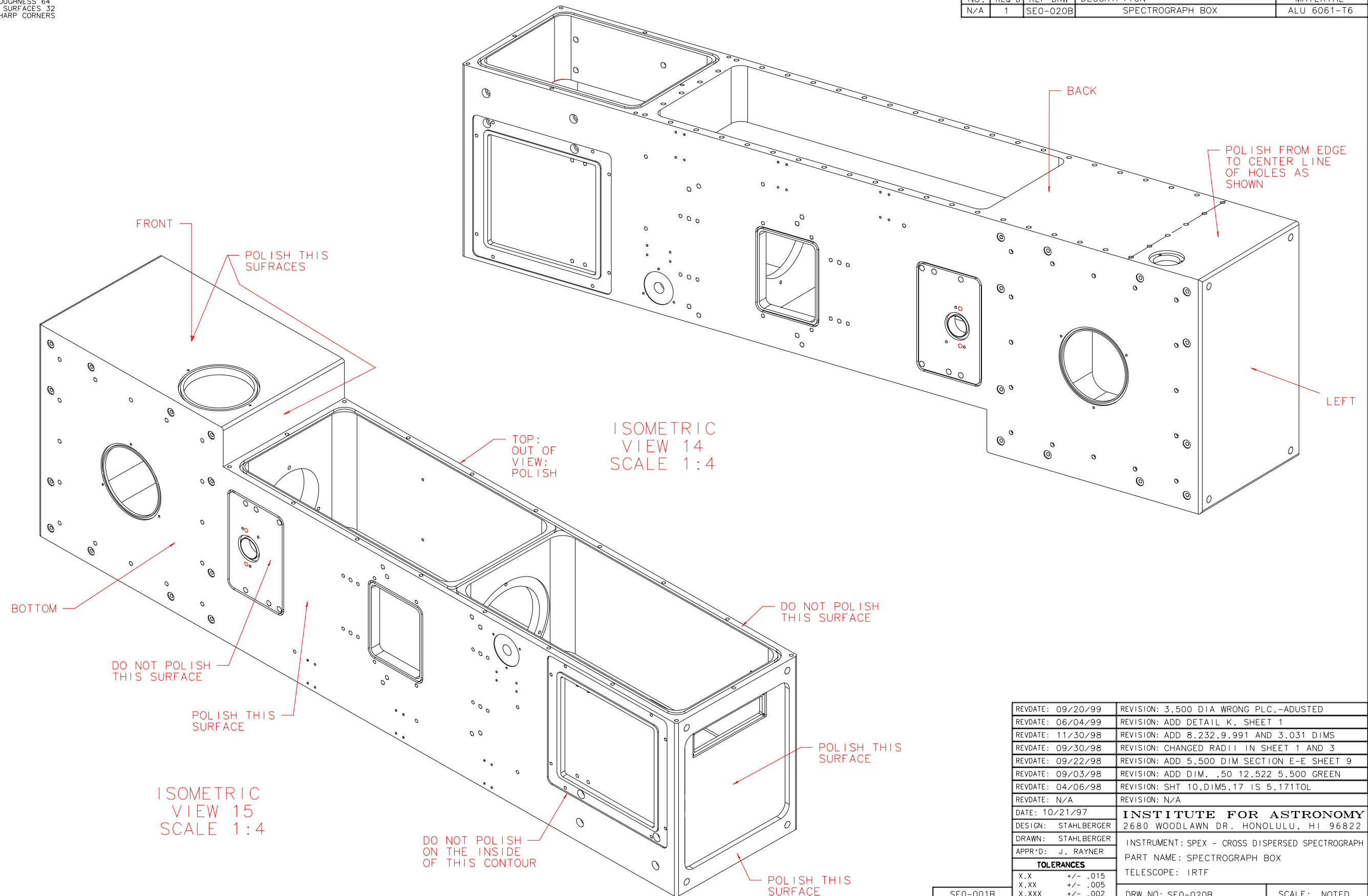


NOTES: UNLESS OTHERWISE NOTED
 1. MACHINED SURFACE ROUGHNESS 64
 O-RING GROOVES AND SURFACES 32
 2. REMOVE ALL BURRS/SHARP CORNERS

| BILL OF MATERIAL | | | | |
|------------------|-------|----------|------------------|-------------|
| NO. | REQ'D | REF DRW | DESCRIPTION | MATERIAL |
| N/A | 1 | SEO-020B | SPECTROGRAPH BOX | ALU 6061-T6 |



ISOMETRIC
 VIEW 14
 SCALE 1:4

ISOMETRIC
 VIEW 15
 SCALE 1:4

| | |
|---------------------|---|
| REVDATE: 09/20/99 | REVISION: 3.500 DIA WRONG PLC.-ADJUSTED |
| REVDATE: 06/04/99 | REVISION: ADD DETAIL K, SHEET 1 |
| REVDATE: 11/30/98 | REVISION: ADD 8.232,9.991 AND 3.031 DIMS |
| REVDATE: 09/30/98 | REVISION: CHANGED RADII IN SHEET 1 AND 3 |
| REVDATE: 09/22/98 | REVISION: ADD 5.500 DIM SECTION E-E SHEET 9 |
| REVDATE: 09/03/98 | REVISION: ADD DIM, .50 12.522 5.500 GREEN |
| REVDATE: 04/06/98 | REVISION: SHT 10,DIM5.17 IS 5.171TOL |
| REVDATE: N/A | REVISION: N/A |
| DATE: 10/21/97 | INSTITUTE FOR ASTRONOMY |
| DESIGN: STAHLBERGER | 2680 WOODLAWN DR. HONOLULU, HI 96822 |
| DRAWN: STAHLBERGER | INSTRUMENT: SPEX - CROSS DISPERSED SPECTROGRAPH |
| APPR'D: J. RAYNER | PART NAME: SPECTROGRAPH BOX |
| TOLERANCES | |
| X.X | +/- .015 |
| X.XX | +/- .005 |
| X.XXX | +/- .002 |
| ANGLE | +/- 30 min |
| FRACTION | +/- 1/32 |
| DRW NO: SEO-020B | SCALE: NOTED |
| SIZE: B | JOS NO: 725 |
| | SHEET: 12 OF 13 |

| | |
|-----------|--|
| SEO-001B | |
| NEXT ASSY | |