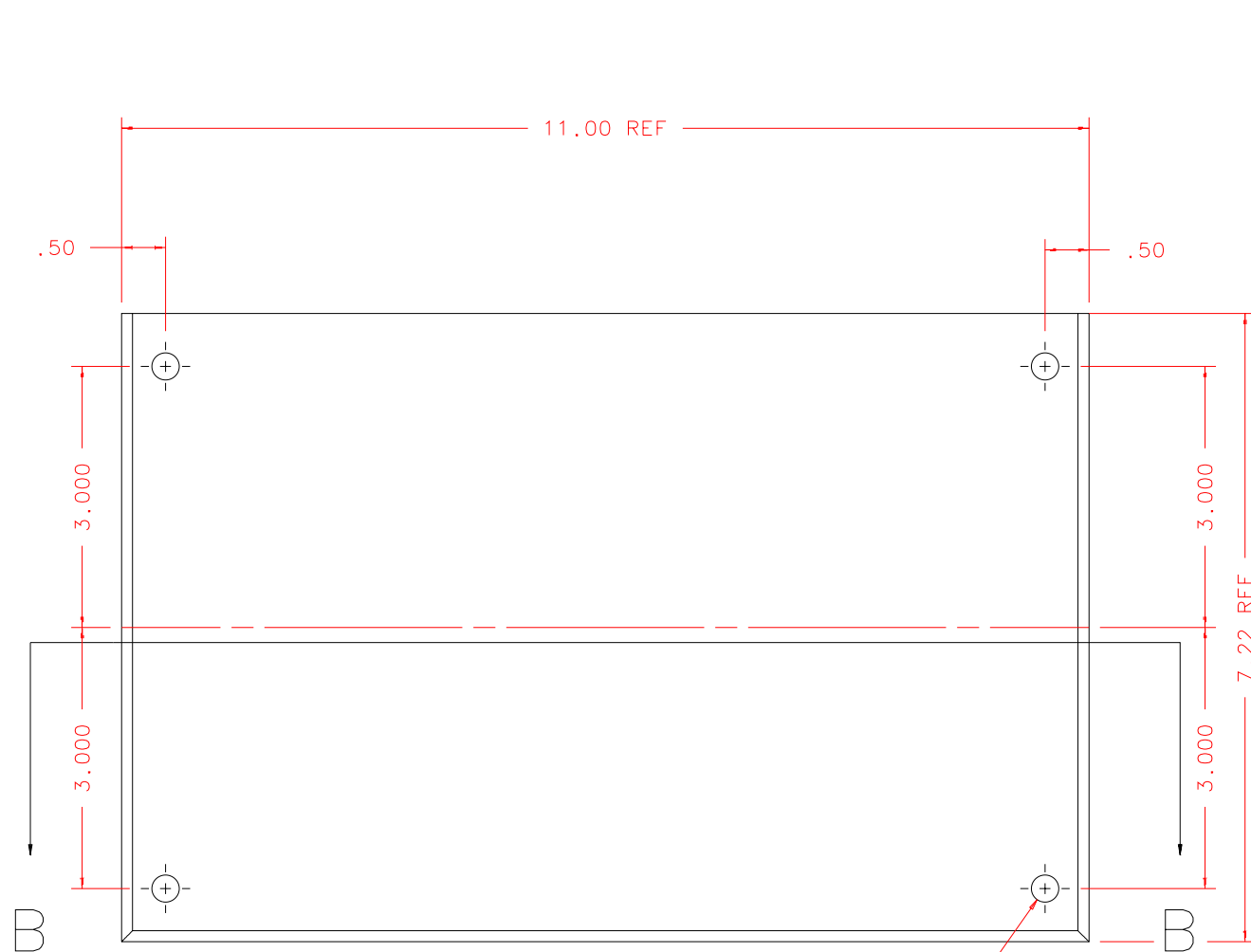
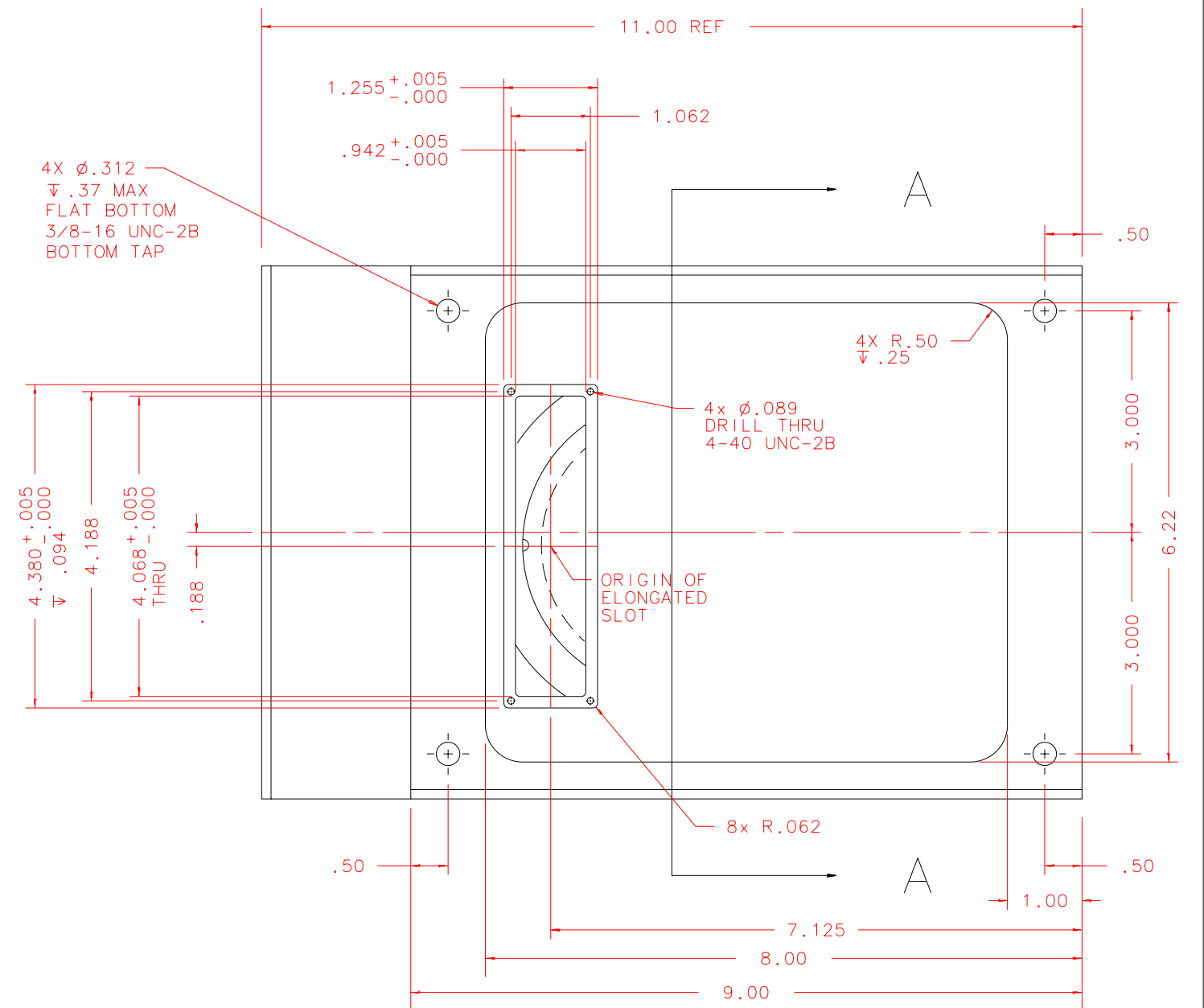


NOTES: UNLESS OTHERWISE NOTED
 1. MACHINED SURFACE ROUGHNESS 64
 O-RING GROOVES AND SURFACES 32
 2. REMOVE ALL BURRS/SHARP CORNERS

BILL OF MATERIAL				
NO.	REQ'D	REF DRW	DESCRIPTION	MATERIAL
N/A	1	SEO-020B	SPECTROGRAPH BOX	ALU 6061-T6



LEFT: SCALE 1:2



RIGHT: SCALE 1:2

4X ϕ .312
 ∇ .37 MAX
 FLAT BOTTOM
 3/8-16 UNC-2B
 BOTTOM TAP

4X ϕ .312
 ∇ .37 MAX
 FLAT BOTTOM
 3/8-16 UNC-2B
 BOTTOM TAP

4X ϕ .089
 DRILL THRU
 4-40 UNC-2B

ORIGIN OF
 ELONGATED
 SLOT

4X R.50
 ∇ .25

8x R.062

REVDATE: 09/20/99	REVISION: 3.500 DIA WRONG PLC.-ADJUSTED
REVDATE: 06/04/99	REVISION: ADD DETAIL K, SHEET 1
REVDATE: 11/30/98	REVISION: ADD 8.232,9.991 AND 3.031 DIMS
REVDATE: 09/30/98	REVISION: CHANGED RADII IN SHEET 1 AND 3
REVDATE: 09/22/98	REVISION: ADD 5.500 DIM SECTION E-E SHEET 9
REVDATE: 09/03/98	REVISION: ADD DIM. .50 12.522 5.500 GREEN
REVDATE: 04/06/98	REVISION: SHT 10,DIM5.17 IS 5.171TOL
REVDATE: N/A	REVISION: N/A
DATE: 10/21/97	INSTITUTE FOR ASTRONOMY
DESIGN: STAHLBERGER	2680 WOODLAWN DR. HONOLULU, HI 96822
DRAWN: STAHLBERGER	INSTRUMENT: SPEX - CROSS DISPERSED SPECTROGRAPH
APPR'D: J. RAYNER	PART NAME: SPECTROGRAPH BOX
TOLERANCES	
X.X	+/- .015
X.XX	+/- .005
X.XXX	+/- .002
ANGLE	+/- 30 min
FRACTION	+/- 1/32
DRW NO: SEO-020B	SCALE: NOTED
SIZE: B	JOS NO: 725
	SHEET: 2 OF 13

PLOT: 10/19/99

SEO-001B
 NEXT ASSY