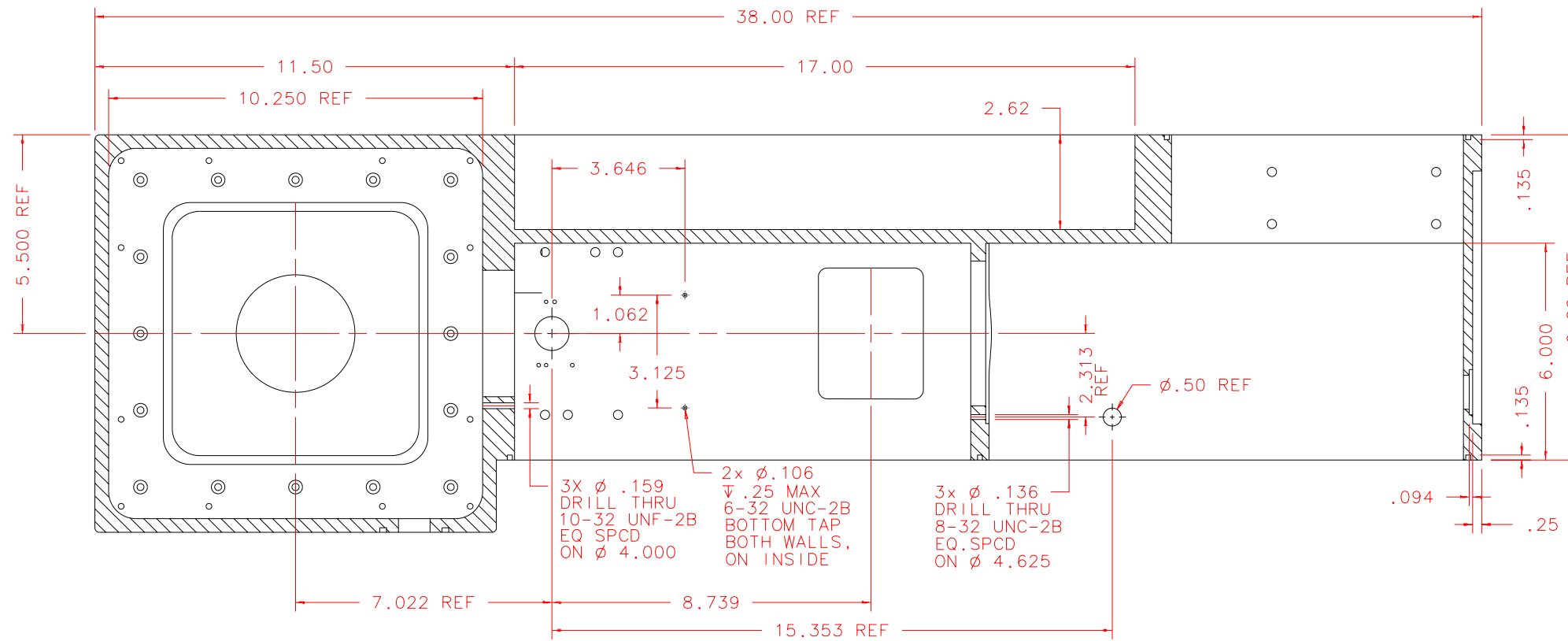


NOTES: UNLESS OTHERWISE NOTED  
 1. MACHINED SURFACE ROUGHNESS 64  
 O-RING GROOVES AND SURFACES 32  
 2. REMOVE ALL BURRS/SHARP CORNERS

BILL OF MATERIAL				
NO.	REQ'D	REF DRW	DESCRIPTION	MATERIAL
N/A	1	SEO-020B	SPECTROGRAPH BOX	ALU 6061-T6



SECTION B-B: SCALE 1:4

REVD: 09/20/99	REVISION: 3.500 DIA WRONG PLC.-ADJUSTED
REVD: 06/04/99	REVISION: ADD DETAIL K, SHEET 1
REVD: 11/30/98	REVISION: ADD 8.232, 9.991 AND 3.031 DIMS
REVD: 09/30/98	REVISION: CHANGED RADII IN SHEET 1 AND 3
REVD: 09/22/98	REVISION: ADD 5.500 DIM SECTION E-E SHEET 9
REVD: 09/03/98	REVISION: ADD DIM, .50 12.522 5.500 GREEN
REVD: 04/06/98	REVISION: SHT 10, DIMS, 17 IS 5.171TOL
REVD: N/A	REVISION: N/A
DATE: 10/21/97	<b>INSTITUTE FOR ASTRONOMY</b>
DESIGN: STAHLBERGER	2680 WOODLAWN DR. HONOLULU, HI 96822
DRAWN: STAHLBERGER	INSTRUMENT: SPEX - CROSS DISPERSED SPECTROGRAPH
APPR'D: J. RAYNER	PART NAME: SPECTROGRAPH BOX
<b>TOLERANCES</b>	
X.X	+/- .015
X.XX	+/- .005
X.XXX	+/- .002
ANGLE	+/- 30 min
FRACTION	+/- 1/32
DRW NO: SEO-020B	SCALE: NOTED
SIZE: B	JOS NO: 725
	SHEET: 6 OF 13

PLOT: 10/19/99

SEO-001B	NEXT ASSY
----------	-----------