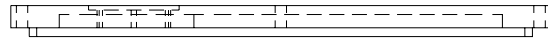
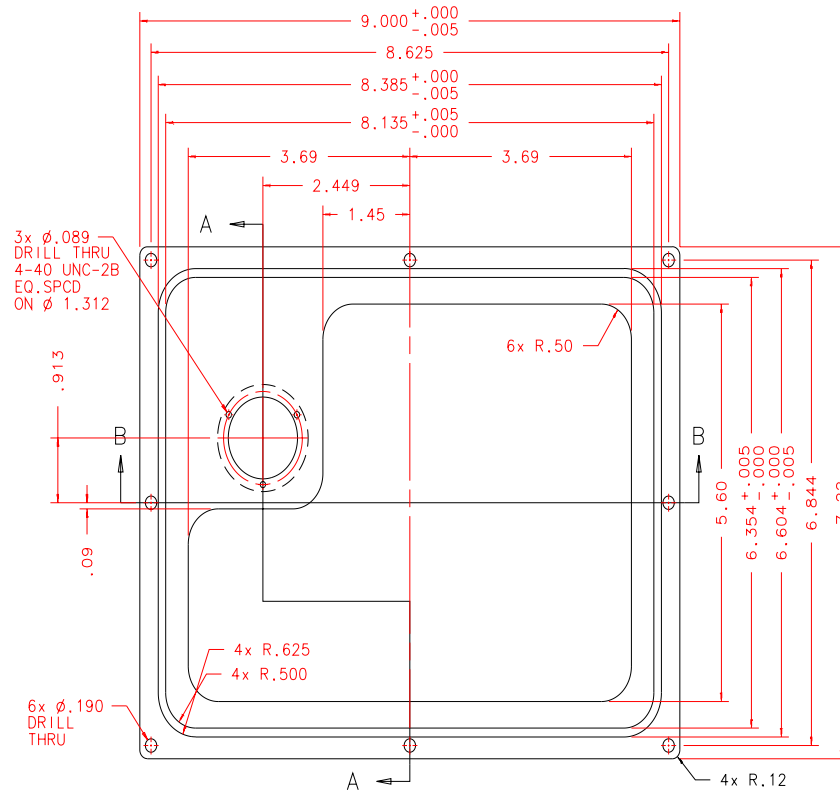


- NOTES: UNLESS OTHERWISE NOTED
 1. MACHINED SURFACE ROUGHNESS 64
 C-RING GROOVES AND SURFACES 32
 2. REMOVE ALL BURRS/SHARP CORNERS

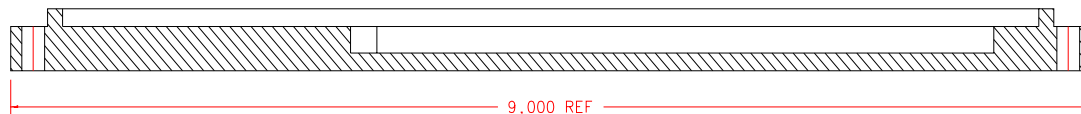
BILL OF MATERIAL				
NO.	REQ'D	REF DRW	DESCRIPTION	MATERIAL
N/A	1	SEO-022B	FOCUS DRIVE COVER	ALU 6061-T6



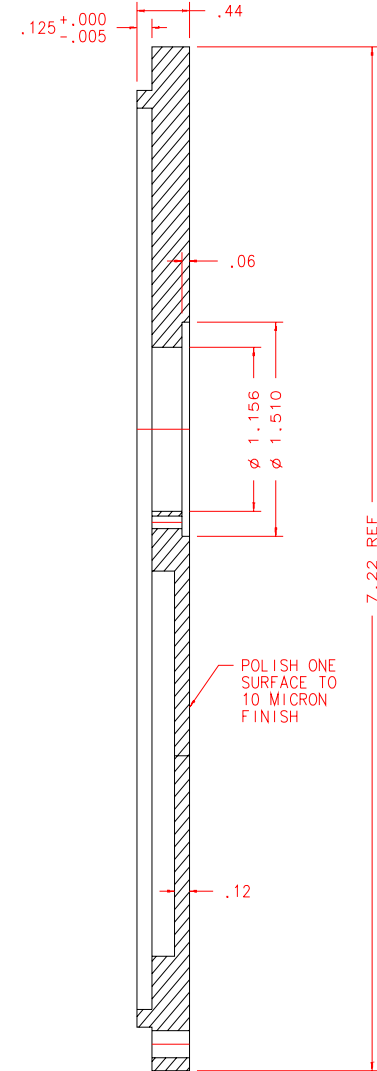
TOP: SCALE 1:2



FRONT: SCALE 1:2



SECTION B-B: SCALE 1:1



SECTION A-A

REVDATE: 02/09/99	REVISION: CORNER RADIUS QTY 4 (FROM 2)
REVDATE: N/A	REVISION: N/A
DATE: 11/15/97	INSTITUTE FOR ASTRONOMY
DESIGN: STAHLBERGER	2680 WOODLAWN DR. HONOLULU, HI 96822
DRAWN: STAHLBERGER	INSTRUMENT: SPEX - CROSS DISPERSED SPECTROGRAPH
APPR'D: J. RAYNER	PART NAME: FOCUS DRIVE COVER
TOLERANCES	
X.X	+/- .015
X.XX	+/- .005
X.XXX	+/- .002
ANGLE	+/- 30 min
FRACTION	+/- 1/32

SEO-001B	DRW NO: SEO-022B	SCALE: NOTED
NEXT ASSY	SIZE: B	JOS NO: 725
		SHEET: 1 OF 1