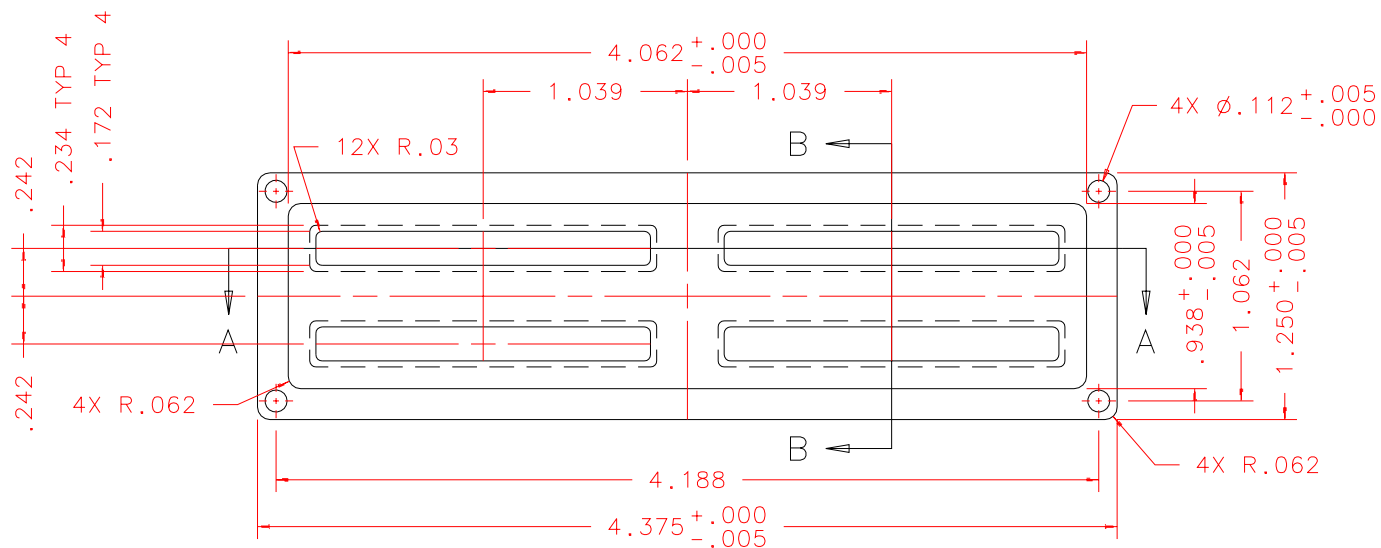
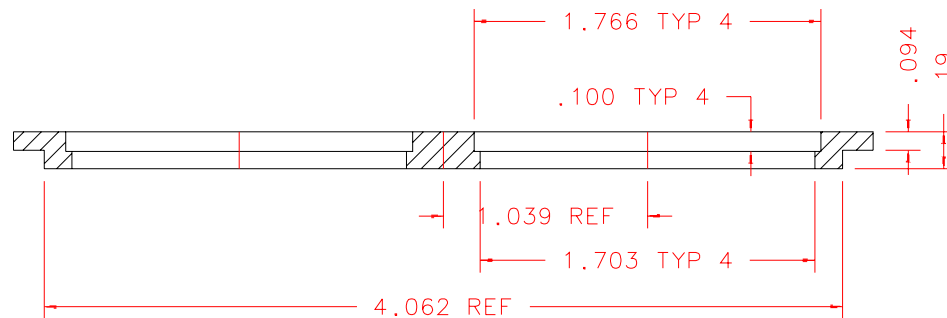


NOTES: UNLESS OTHERWISE NOTED

1. MACHINED SURFACE ROUGHNESS 64
O-RING GROOVES AND SURFACES 32
2. REMOVE ALL BURRS/SHARP CORNERS

| BILL OF MATERIAL | | | | |
|------------------|-------|----------|--------------|-------------|
| NO. | REQ'D | REF DRW | DESCRIPTION | MATERIAL |
| N/A | 1 | SEO-023A | QUAD34 MOUNT | ALU 6061-T6 |



FRONT

| | |
|---------------------|---|
| REVDATE: N/A | REVISION: N/A |
| DATE: 11/06/97 | INSTITUTE FOR ASTRONOMY |
| DESIGN: STAHLBERGER | 2680 WOODLAWN DR. HONOLULU, HI 96822 |
| DRAWN: STAHLBERGER | INSTRUMENT: SPEX - CROSS DISPERSED SPECTROGRAPH |
| APPR'D: J. RAYNER | PART NAME: QUAD34 MOUNT |
| TOLERANCES | TELESCOPE: IRTF |
| X.X +/- .015 | DRW NO: SEO-023A |
| X.XX +/- .005 | SCALE: 1:1 |
| X.XXX +/- .002 | SIZE: A |
| ANGLE +/- 30 min | JOS NO: 725 |
| FRACTION +/- 1/32 | SHEET: 1 OF 2 |

| |
|-----------|
| SN1-001B |
| NEXT ASSY |

PLOT:10/19/99