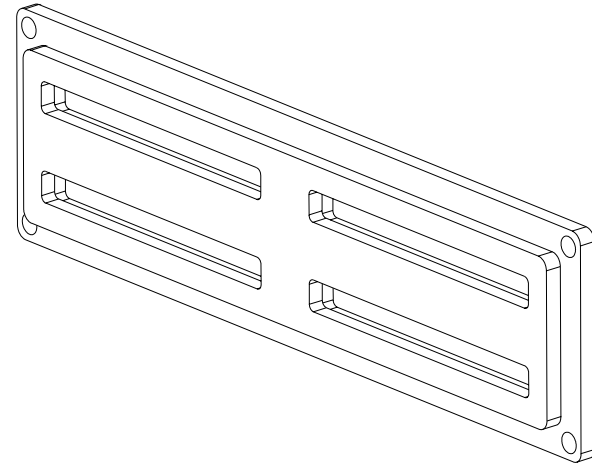
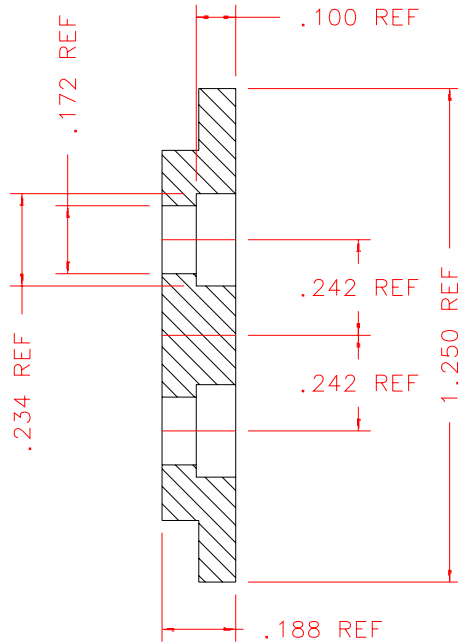


NOTES: UNLESS OTHERWISE NOTED

1. MACHINED SURFACE ROUGHNESS 64
O-RING GROOVES AND SURFACES 32
2. REMOVE ALL BURRS/SHARP CORNERS

BILL OF MATERIAL

NO.	REQ'D	REF DRW	DESCRIPTION	MATERIAL
N/A	1	SE0-023A	QUAD34 MOUNT	ALU 6061-T6



ISOMETRIC: SCALE FULL

SECTION B-B: SCALE 2:1

REVDATE: N/A	REVISION: N/A
DATE: 11/06/97	INSTITUTE FOR ASTRONOMY 2680 WOODLAWN DR. HONOLULU, HI 96822
DESIGN: STAHLBERGER	
DRAWN: STAHLBERGER	INSTRUMENT: SPEX - CROSS DISPERSED SPECTROGRAPH
APPR'D: J. RAYNER	PART NAME: QUAD34 MOUNT
TOLERANCES	
X.X +/- .015	TELESCOPE: IRTF
X.XX +/- .005	DRW NO: SE0-023A
X.XXX +/- .002	SCALE: 1:1
ANGLE +/- 30 min	SIZE: A
FRACTION +/- 1/32	JOS NO: 725
	SHEET: 2 OF 2

SN1-001B
NEXT ASSY

PLOT: 10/19/99