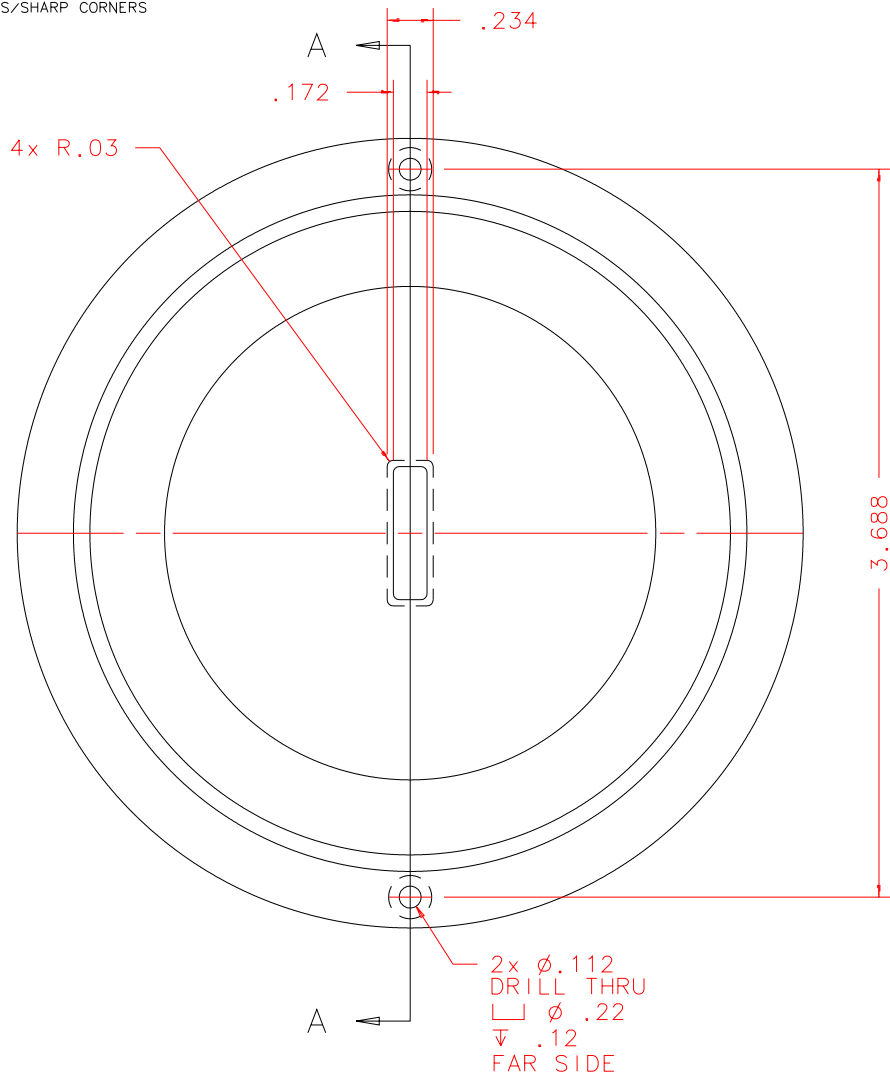


NOTES: UNLESS OTHERWISE NOTED

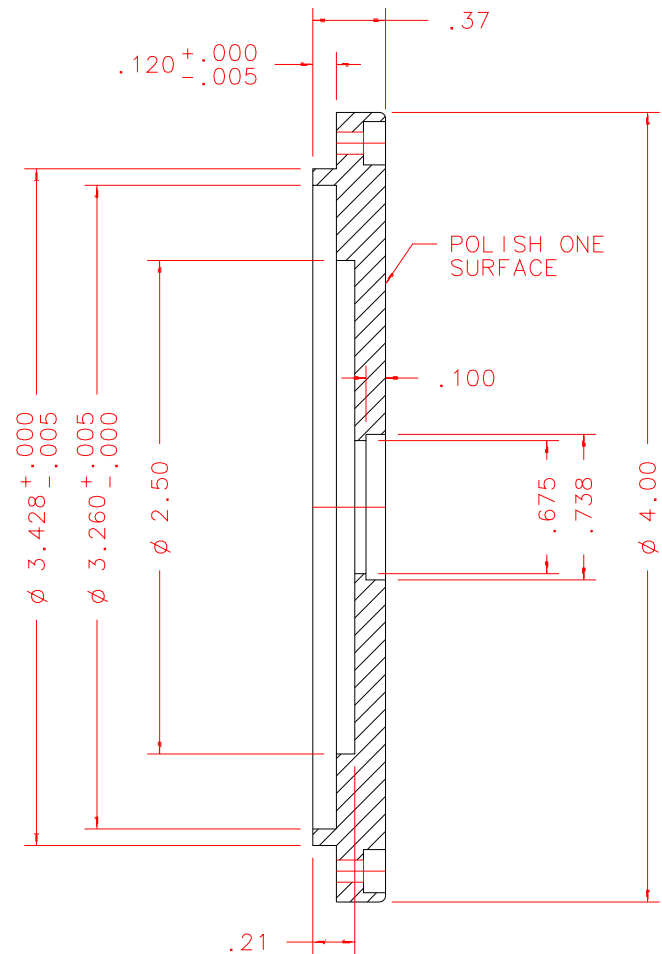
1. MACHINED SURFACE ROUGHNESS 64
O-RING GROOVES AND SURFACES 32
2. REMOVE ALL BURRS/SHARP CORNERS



FRONT

2x ϕ .112
DRILL THRU
└ ϕ .22
┘ .12
FAR SIDE

BILL OF MATERIAL				
NO.	REQ'D	REF DRW	DESCRIPTION	MATERIAL
N/A	1	SEO-028A	SINGLE30 MOUNT SUBPLATE	ALU 6061-T6



SECTION A-A

REVDATE: N/A	REVISION: N/A
DATE: 12/17/97	INSTITUTE FOR ASTRONOMY
DESIGN: STAHLBERGER	2680 WOODLAWN DR. HONOLULU, HI 96822
DRAWN: STAHLBERGER	INSTRUMENT: SPEX - CROSS DISPERSED SPECTROGRAPH
APPR'D: J. RAYNER	PART NAME: SINGLE30 MOUNT SUBPLATE
	TELESCOPE: IRTF
TOLERANCES	
X.X	+/- .015
X.XX	+/- .005
X.XXX	+/- .002
ANGLE	+/- 30 min
FRACTION	+/- 1/32
DRW NO: SEO-028A	SCALE: 1:1
SIZE: A	JOS NO: 725
	SHEET: 1 OF 1

PLOT:10/19/99

SEO-001B
NEXT ASSY