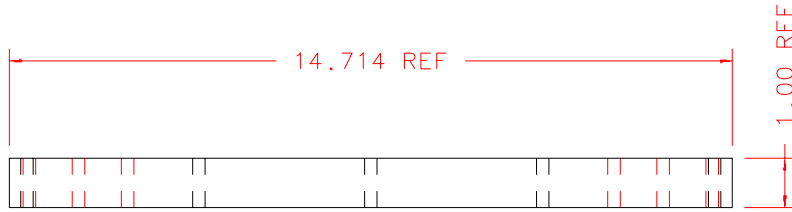


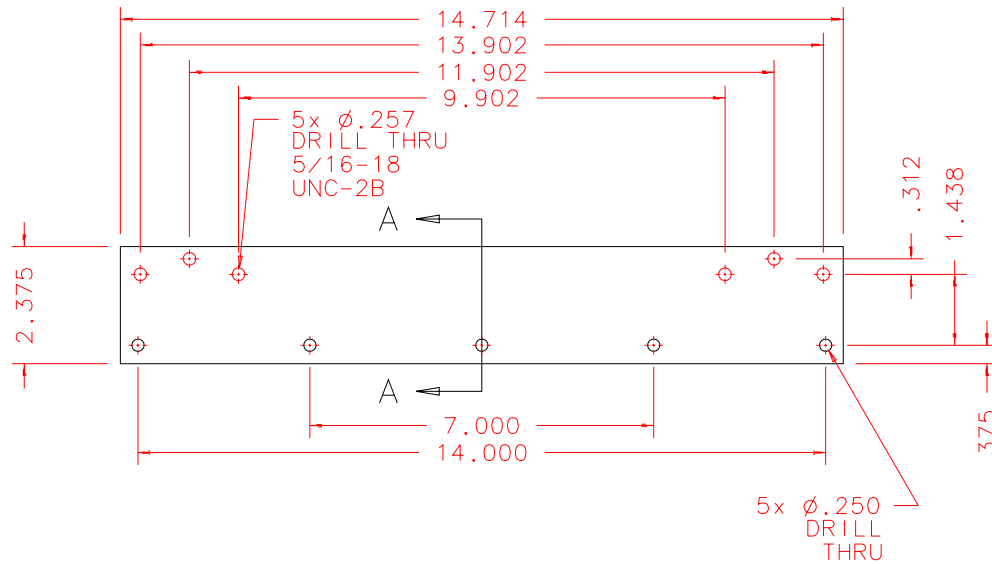
NOTES: UNLESS OTHERWISE NOTED

1. MACHINED SURFACE ROUGHNESS 64
O-RING GROOVES AND SURFACES 32
2. REMOVE ALL BURRS/SHARP CORNERS

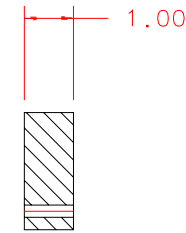
| BILL OF MATERIAL | | | | |
|------------------|-------|----------|-------------|-------------|
| NO. | REQ'D | REF DRW | DESCRIPTION | MATERIAL |
| N/A | 1 | SE1-019A | BRACE | ALU 6061-T6 |



TOP



FRONT



SECTION A-A

PLOT: 10/19/99

| |
|-----------|
| N/A |
| NEXT ASSY |

| | |
|---|--|
| REVDATE: N/A | REVISION: N/A |
| DATE: 12/26/97 | INSTITUTE FOR ASTRONOMY 2680 WOODLAWN DR. HONOLULU, HI 96822 |
| DESIGN: STAHLBERGER | |
| DRAWN: STAHLBERGER | |
| APPR'D: J. RAYNER | |
| TOLERANCES | |
| X.X | +/- .015 |
| X.XX | +/- .005 |
| X.XXX | +/- .002 |
| ANGLE | +/- 30 min |
| FRACTION | +/- 1/32 |
| INSTRUMENT: SPEX - CROSS DISPERSED SPECTROGRAPH | |
| PART NAME: BRACE | |
| TELESCOPE: IRTF | |
| DRW NO: SE1-019A | SCALE: 1:4 |
| SIZE: A | JOS NO: 725 |
| SHEET: 1 OF 1 | |