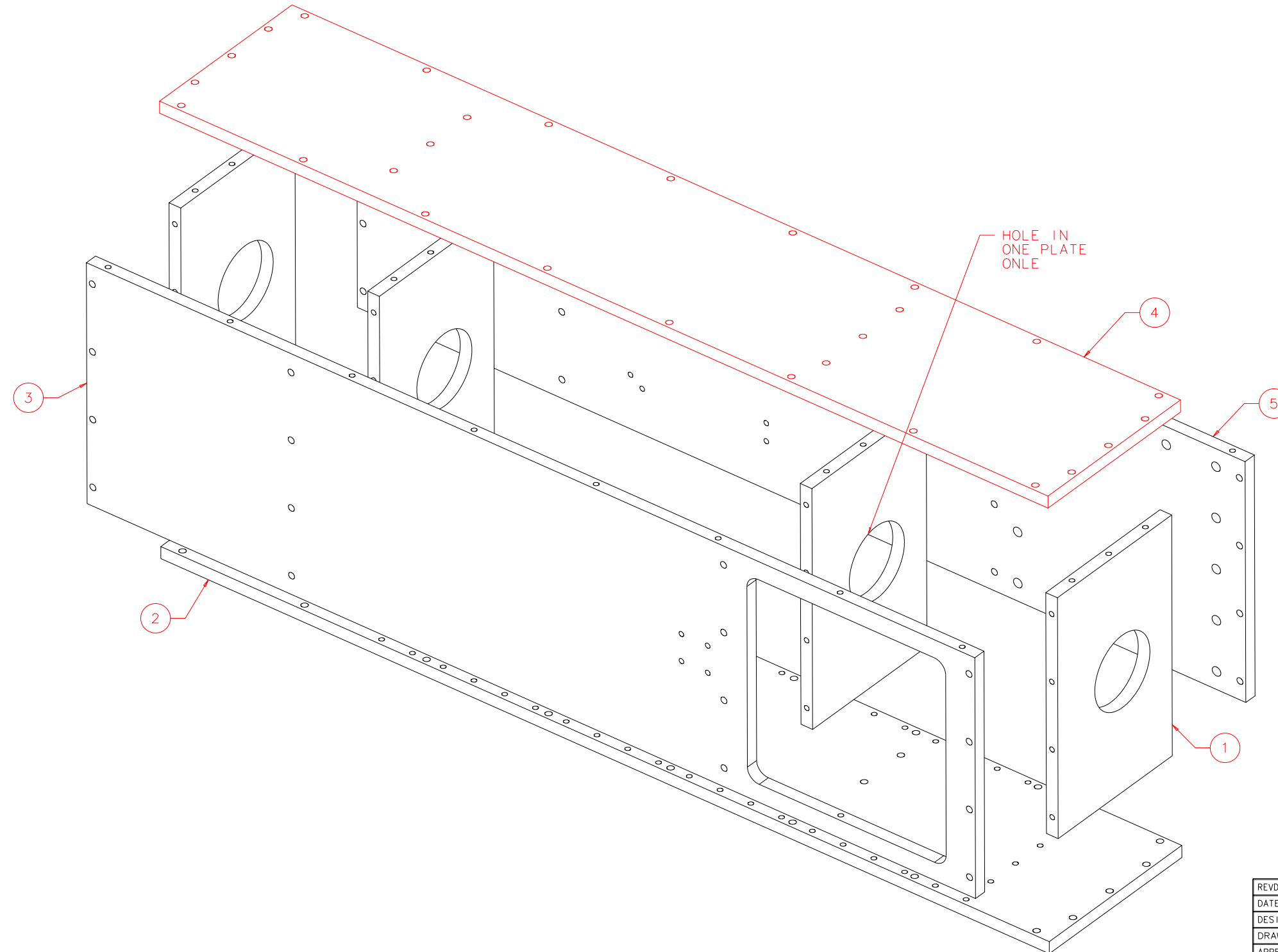


NOTES: UNLESS OTHERWISE NOTED  
 1. MACHINED SURFACE ROUGHNESS 64  
 O-RING GROOVES AND SURFACES 32  
 2. REMOVE ALL BURRS/SHARP CORNERS

BILL OF MATERIAL				
NO.	REQ'D	REF DRW	DESCRIPTION	MATERIAL
N/A	1	SE2-001B	SPECTROBOX PLATE VERSION	N/A
1	4	SE2-011B	PLATE Z	ALU 6061-T6
2	1	SE2-012B	PLATE +X	ALU 6061-T6
3	1	SE2-013B	PLATE +Y	ALU 6061-T6
4	1	SE2-014B	PLATE -X	ALU 6061-T6
5	1	SE2-015B	PLATE -Y	ALU 6061-T6



REVD: N/A	REVISION: N/A
DATE: 02/12/97	<b>INSTITUTE FOR ASTRONOMY</b>
DESIGN: STAHLBERGER	2680 WOODLAWN DR. HONOLULU, HI 96822
DRAWN: STAHLBERGER	INSTRUMENT: SPEX - CROSS DISPERSED SPECTROGRAPH
APPR'D: J. RAYNER	PART NAME: SPECTROBOX PLATE VERSION
<b>TOLERANCES</b>	TELESCOPE: IRTF
X.X +/- .015	DRW NO: SE2-001B
X.XX +/- .005	SCALE: 1:4
X.XXX +/- .002	SIZE: B
ANGLE +/- 30 min	JOS NO: 725
FRACTION +/- 1/32	SHEET: 1 OF 1

N/A
NEXT ASSY

PLOT: 10/19/99