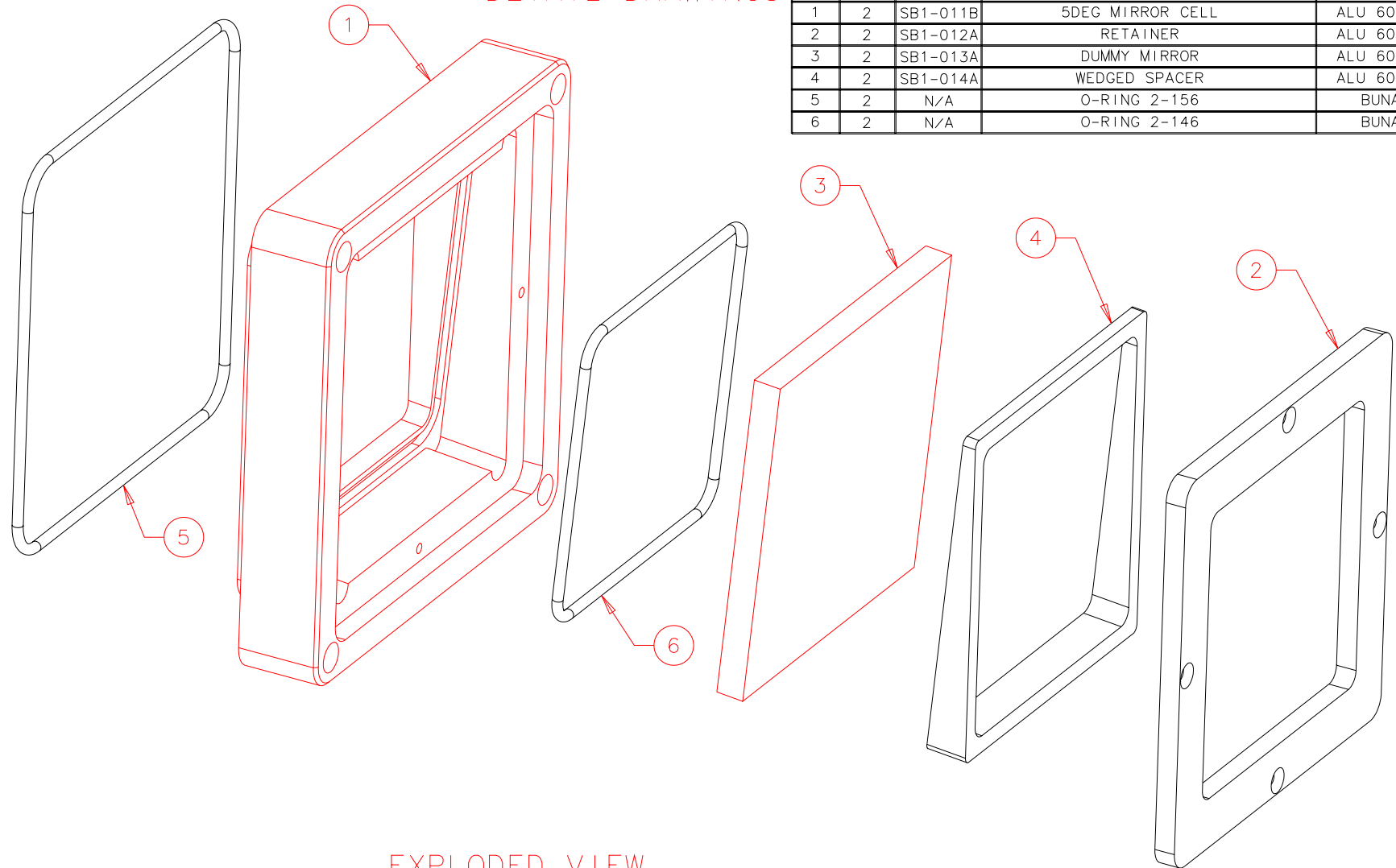


NOTES: UNLESS OTHERWISE NOTED

1. MACHINED SURFACE ROUGHNESS 64
O-RING GROOVES AND SURFACES 32
2. REMOVE ALL BURRS/SHARP CORNERS

ANODIZE AS PER
DETAIL DRAWINGS

BILL OF MATERIAL				
NO.	REQ'D	REF DRW	DESCRIPTION	MATERIAL
N/A	2	SB1-001A	5DEG WINDOW	N/A
1	2	SB1-011B	5DEG MIRROR CELL	ALU 6061-T6
2	2	SB1-012A	RETAINER	ALU 6061-T6
3	2	SB1-013A	DUMMY MIRROR	ALU 6061-T6
4	2	SB1-014A	WEDGED SPACER	ALU 6061-T6
5	2	N/A	O-RING 2-156	BUNA-N
6	2	N/A	O-RING 2-146	BUNA-N



EXPLODED VIEW
SCALE ~ 3/4

REVDATE: N/A	REVISION: N/A
DATE: 01/07/97	INSTITUTE FOR ASTRONOMY 2680 WOODLAWN DR. HONOLULU, HI 96822
DESIGN: STAHLBERGER	
DRAWN: STAHLBERGER	
APPR'D: J. RAYNER	
TOLERANCES	
X.X	+/- .015
X.XX	+/- .005
X.XXX	+/- .002
ANGLE	+/- 30 min
FRACTION	+/- 1/32
INSTRUMENT: SPEX - CROSS DISPERSED SPECTROGRAPH	
PART NAME: 5DEG WINDOW	
TELESCOPE: IRTF	
DRW NO: SB1-001A	SCALE: 1:3/4
SIZE: A	JOS NO: 762
SHEET: 1 OF 1	

PLOT: 10/19/99

SB0-001B
NEXT ASSY