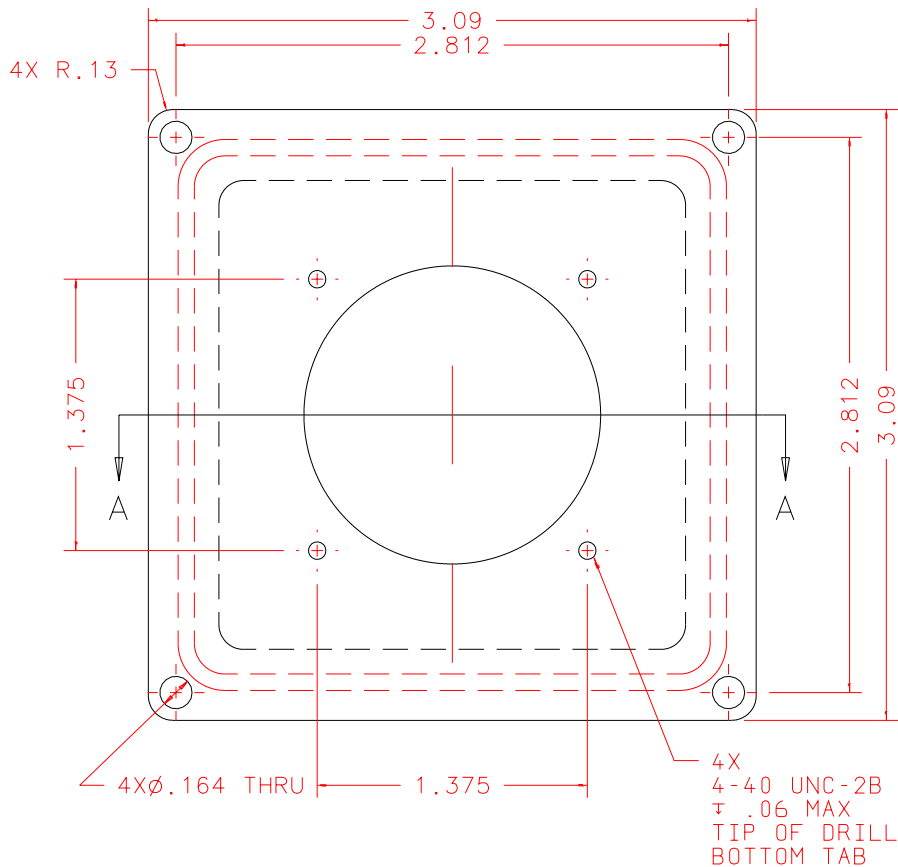
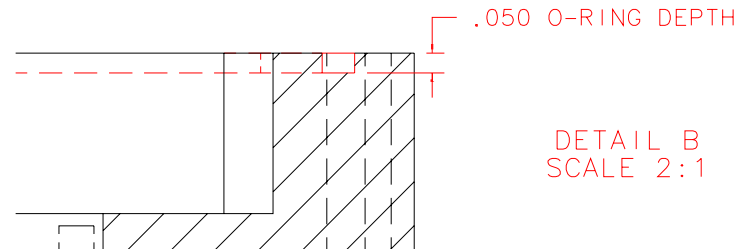
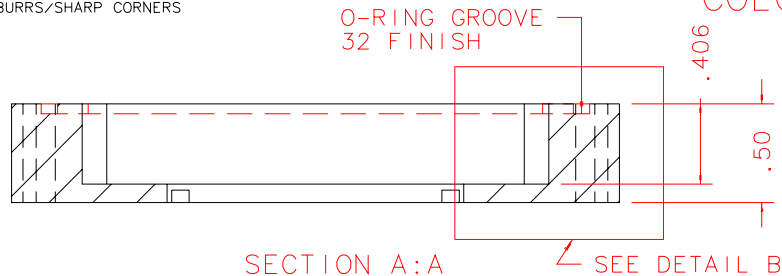


NOTES: UNLESS OTHERWISE NOTED

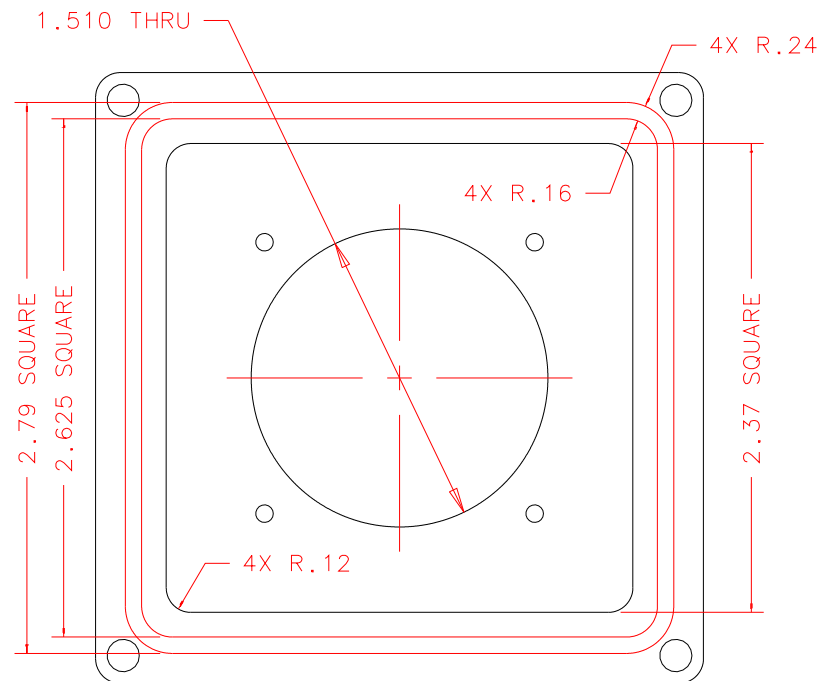
1. MACHINED SURFACE ROUGHNESS 64  
O-RING GROOVES AND SURFACES 32
2. REMOVE ALL BURRS/SHARP CORNERS

ANODIZE:  
COLOR: TBD

BILL OF MATERIAL				
NO.	REQ'D	REF DRW	DESCRIPTION	MATERIAL
N/A	6	SB3-013A	CONNECTOR PLATE 61PIN	ALU 6061-T6



FRONT



BACK

REVDATE: N/A	REVISION: N/A	
DATE: 12/30/96	<b>INSTITUTE FOR ASTRONOMY</b> 2680 WOODLAWN DR. HONOLULU, HI 96822	
DESIGN: STAHLBERGER		
DRAWN: STAHLBERGER		
APPR'D: J. RAYNER	INSTRUMENT: SPEX - CROSS DISPERSED SPECTROGRAPH	
PART NAME: CONNECTOR PLATE 61PIN		
TELESCOPE: IRTF		
TOLERANCES		
X.X	+/- .015	
X.XX	+/- .005	
X.XXX	+/- .002	
ANGLE	+/- 30 min	
FRACTION	+/- 1/32	
SB0-001B	DRW NO: SB3-013A	SCALE: 1:1
NEXT ASSY	SIZE: A	JOS NO: 762
		SHEET: 1 OF 1

PLOT: 10/19/99