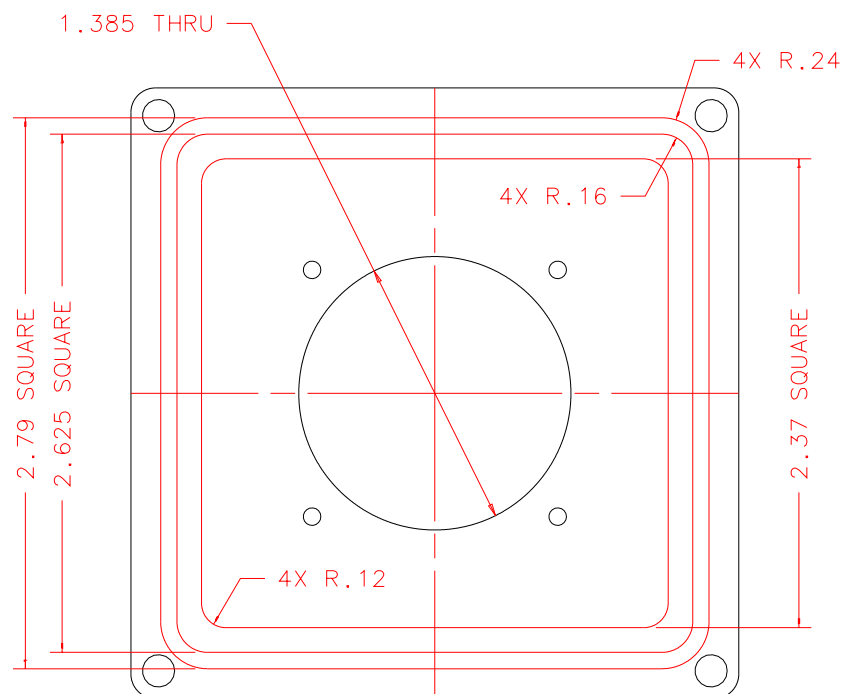
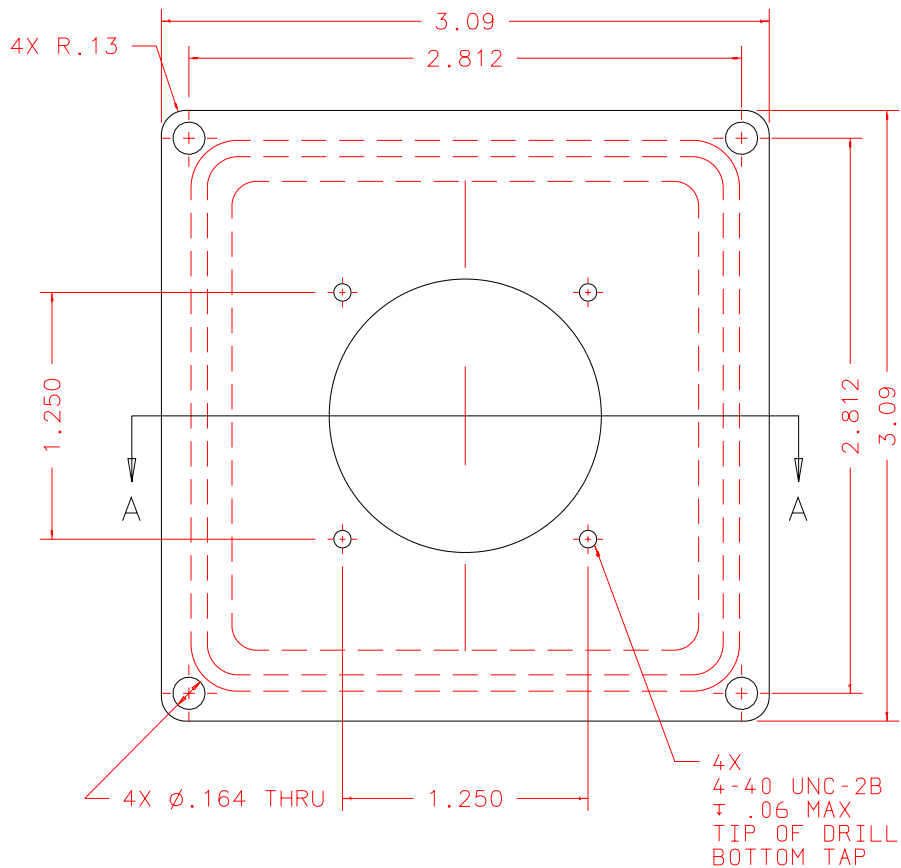
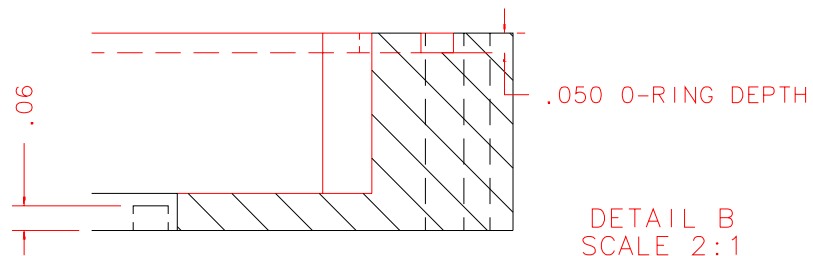
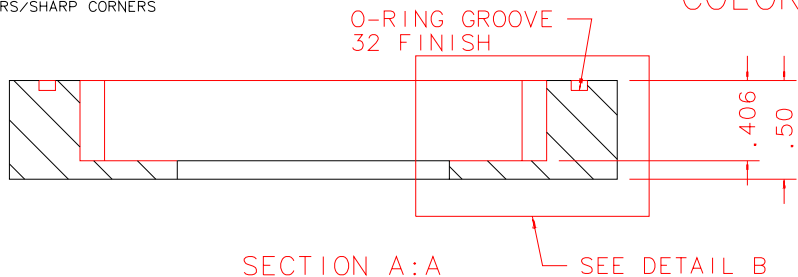


NOTES: UNLESS OTHERWISE NOTED

1. MACHINED SURFACE ROUGHNESS 64  
O-RING GROOVES AND SURFACES 32
2. REMOVE ALL BURRS/SHARP CORNERS

ANODIZE:  
COLOR: TBD

BILL OF MATERIAL				
NO.	REQ'D	REF DRW	DESCRIPTION	MATERIAL
N/A	4	SB3-014A	CONNECTOR PLATE 55PIN	ALU 6061-T6



REVDATE: N/A	REVISION: N/A
DATE: 12/30/96	<b>INSTITUTE FOR ASTRONOMY</b>
DESIGN: STAHLBERGER	2680 WOODLAWN DR. HONOLULU, HI 96822
DRAWN: STAHLBERGER	INSTRUMENT: SPEX - CROSS DISPERSED SPECTROGRAPH
APPR'D: J. RAYNER	PART NAME: CONNECTOR PLATE 55PIN
<b>TOLERANCES</b>	
X.X	+/- .015
X.XX	+/- .005
X.XXX	+/- .002
ANGLE	+/- 30 min
FRACTION	+/- 1/32
TELESCOPE: IRTF	
DRW NO: SB3-014A	SCALE: 1:1
SIZE: A	JOS NO: 762
SHEET: 1 OF 1	

PLOT:10/19/99

SB0-001B
NEXT ASSY