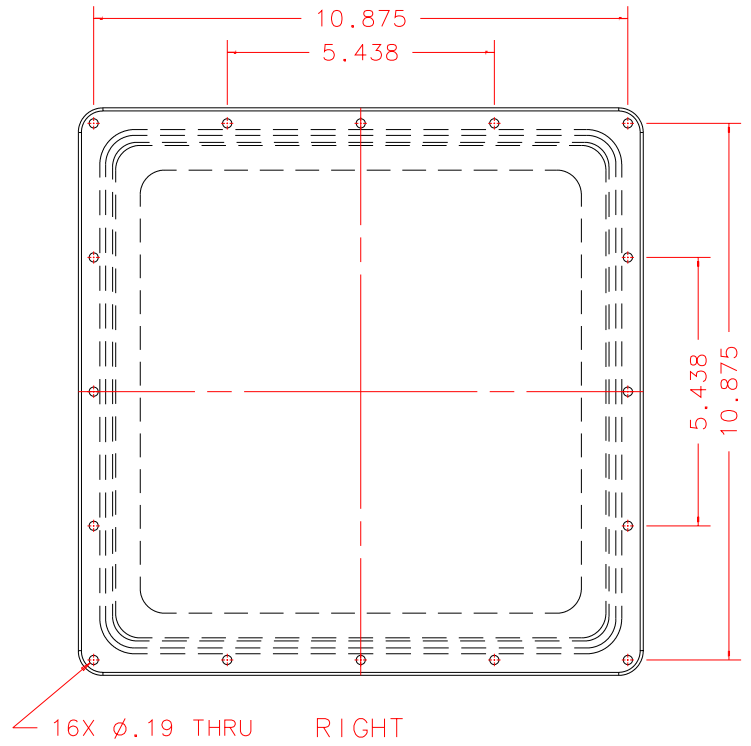
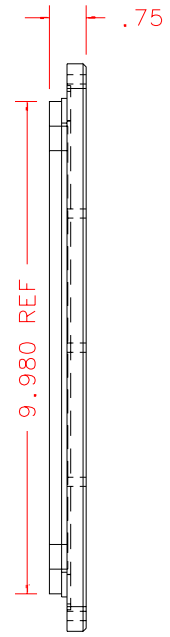
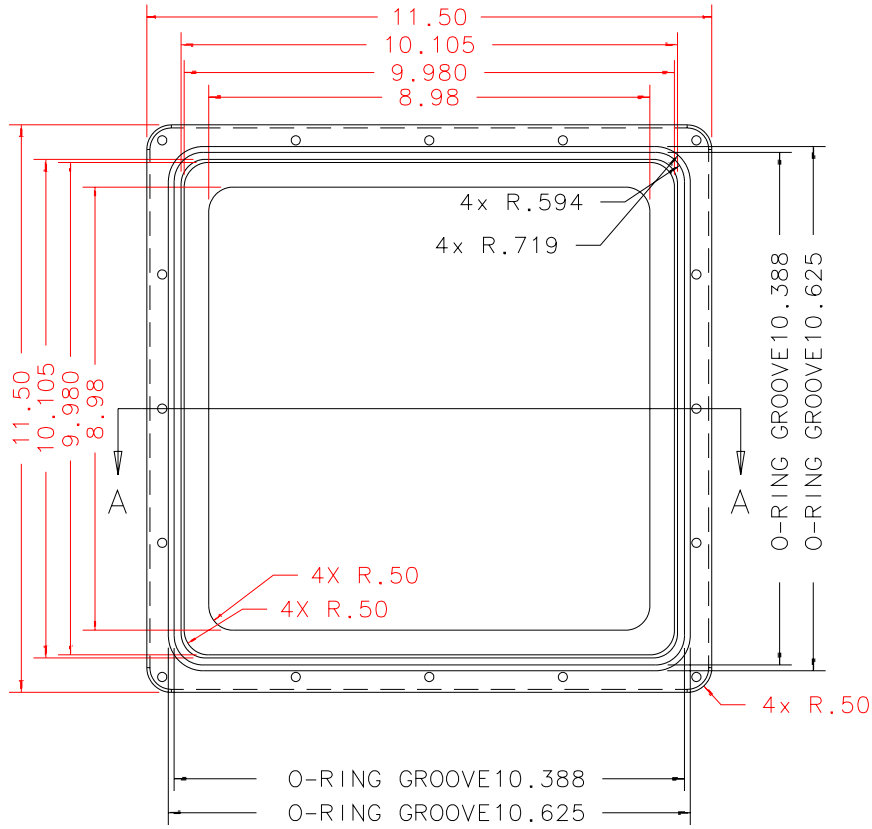
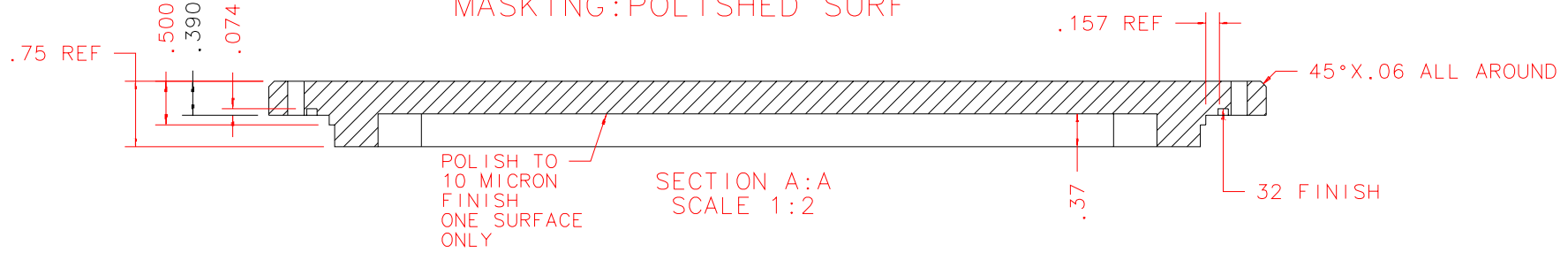


NOTES: UNLESS OTHERWISE NOTED

1. MACHINED SURFACE ROUGHNESS 64  
O-RING GROOVES AND SURFACES 32
2. REMOVE ALL BURRS/SHARP CORNERS

ANODIZE:  
COLOR: TBD  
MASKING: POLISHED SURF

BILL OF MATERIAL				
NO.	REQ'D	REF DRW	DESCRIPTION	MATERIAL
N/A	1	SB3-015A	COVER GRATTURET	ALU 6061-T6



O-RING DATA:  
PERIMETER=40.532 INCH  
O-RING ID=12.90 INCH  
O-RING WIDTH=3/32 INCH

PLOT: 10/19/99

SB3-001B
NEXT ASSY

REVDATE: 08/03/99	REVISION: REMOVE OLD, CUT NEW O-RING
REVDATE: N/A	REVISION: N/A
DATE: 12/30/96	<b>INSTITUTE FOR ASTRONOMY</b> 2680 WOODLAWN DR. HONOLULU, HI 96822
DESIGN: STAHLBERGER	
DRAWN: STAHLBERGER	
APPR'D: J. RAYNER	
<b>TOLERANCES</b>	
X.X	+/- .015
X.XX	+/- .005
X.XXX	+/- .002
ANGLE	+/- 30 min
FRACTION	+/- 1/32
INSTRUMENT: SPEX - CROSS DISPERSED SPECTROGRAPH	
PART NAME: COVER GRATTURET	
TELESCOPE: IRTF	
DRW NO: SB3-015A	SCALE: 1:4
SIZE: A	JOS NO: 762
SHEET: 1 OF 1	