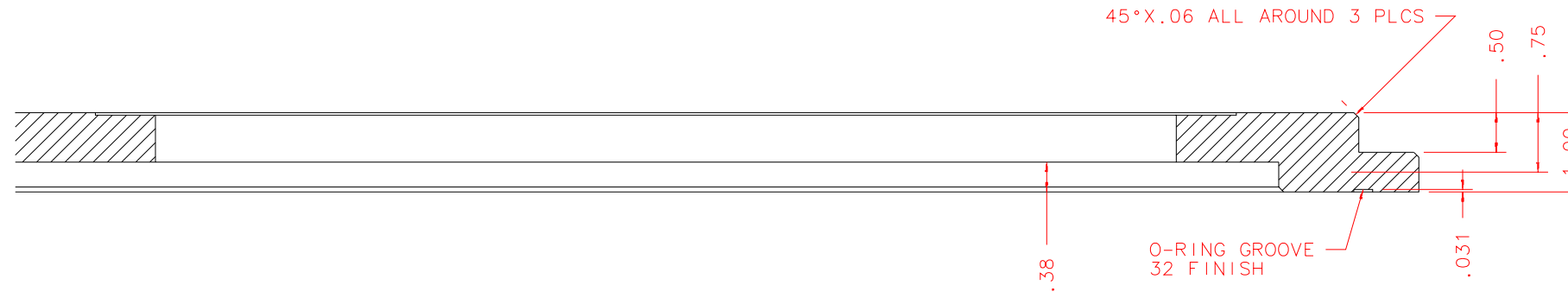
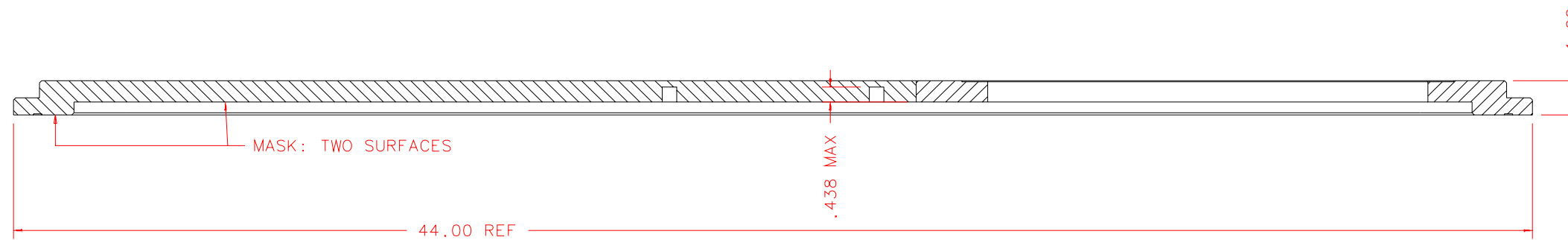


NOTES: UNLESS OTHERWISE NOTED  
 1. MACHINED SURFACE ROUGHNESS 64  
 O-RING GROOVES AND SURFACES 32  
 2. REMOVE ALL BURRS/SHARP CORNERS

BILL OF MATERIAL				
NO.	REQ'D	REF DRW	DESCRIPTION	MATERIAL
N/A	1	SB3-016B	MOTOR COVER PLATE	ALU 6061-T6



DETAIL B: SCALE 1:2



SECTION A-A: SCALE 1:4

REVDATE: 09/04/98	REVISION: ADDED MOTOR HOLE AND ACCESS PORT COG
REVDATE: 5/8/97	REVISION: MOVED 1/2-13 HOLE
REVDATE: N/A	REVISION: N/A
DATE: 04/29/97	<b>INSTITUTE FOR ASTRONOMY</b>
DESIGN: STAHLBERGER	2680 WOODLAWN DR. HONOLULU, HI 96822
DRAWN: STAHLBERGER	INSTRUMENT: SPEX - CROSS DISPERSED SPECTROGRAPH
APPR'D: J. RAYNER	PART NAME: MOTOR COVER PLATE
<b>TOLERANCES</b>	
X.X	+/- .015
X.XX	+/- .005
X.XXX	+/- .002
ANGLE	+/- 30 min
FRACTION	+/- 1/32
DRW NO: SB3-016B	SCALE: NOTED
SIZE: B	JOS NO: 725
SHEET: 3	OF 4

PLOT: 10/19/99

SB0-001B  
 NEXT ASSY