

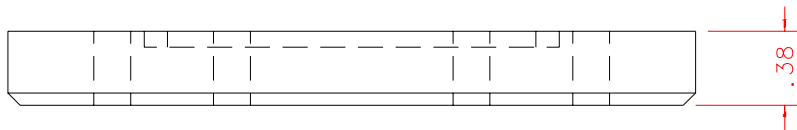
NOTES: UNLESS OTHERWISE NOTED

1. MACHINED SURFACE ROUGHNESS 64
O-RING GROOVES AND SURFACES 32
2. REMOVE ALL BURRS/SHARP CORNERS

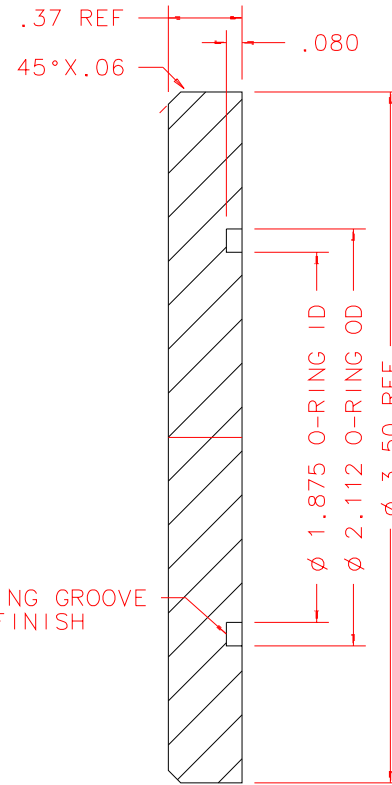
ANODIZE:
COLOR: TBD

BILL OF MATERIAL

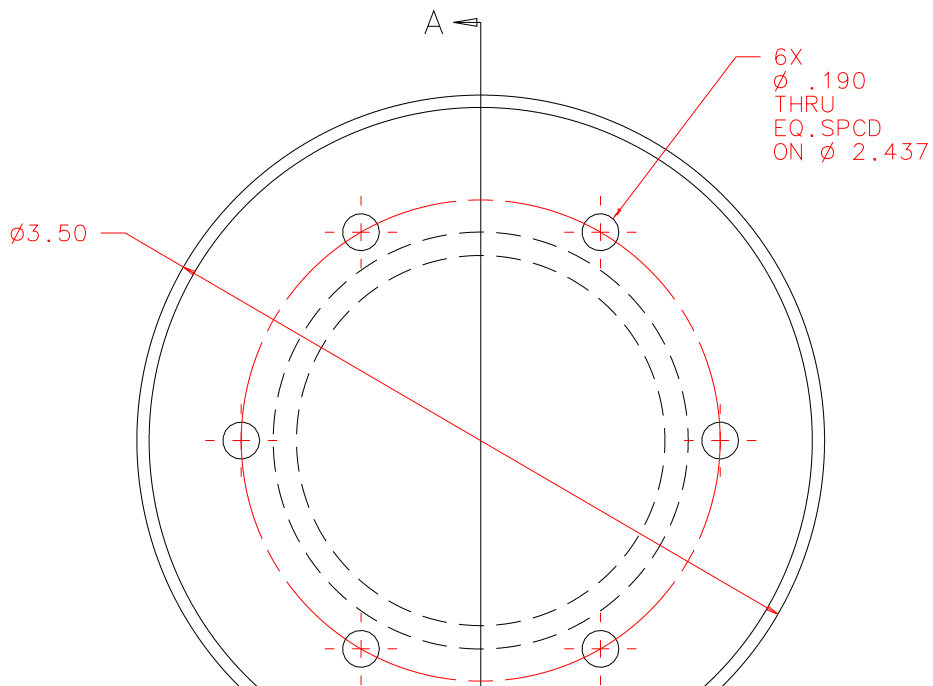
NO.	REQ'D	REF DRW	DESCRIPTION	MATERIAL
N/A	1	SB3-017A	VALVE PORT COVER	ALU 6061-T6



FRONT



SECTION A:A



BOTTOM

REVDATE: N/A	REVISION: N/A
DATE: 01/06/97	INSTITUTE FOR ASTRONOMY
DESIGN: STAHLBERGER	2680 WOODLAWN DR. HONOLULU, HI 96822
DRAWN: STAHLBERGER	INSTRUMENT: SPEX - CROSS DISPERSED SPECTROGRAPH
APPR'D: J. RAYNER	PART NAME: VALVE PORT COVER
TOLERANCES	
X.X	+/- .015
X.XX	+/- .005
X.XXX	+/- .002
ANGLE	+/- 30 min
FRACTION	+/- 1/32
DRW NO: SB3-017A	SCALE: 1:1
SIZE: A	JOS NO: 762
SHEET: 1 OF 1	

PLOT: 10/19/99

SB0-001B
NEXT ASSY