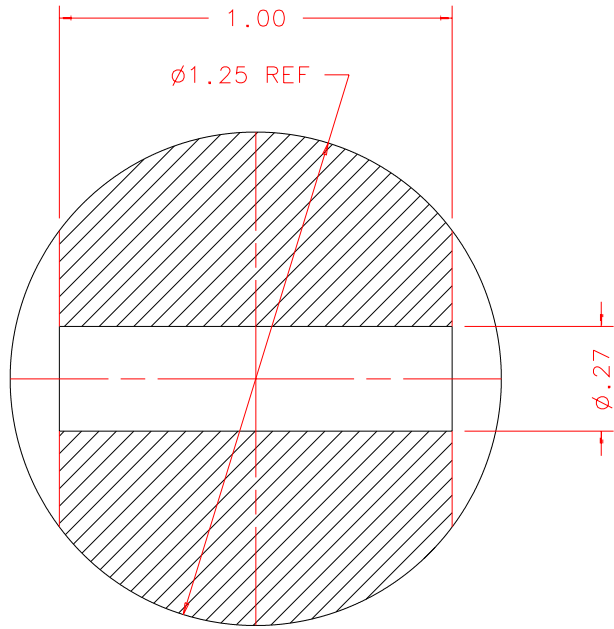
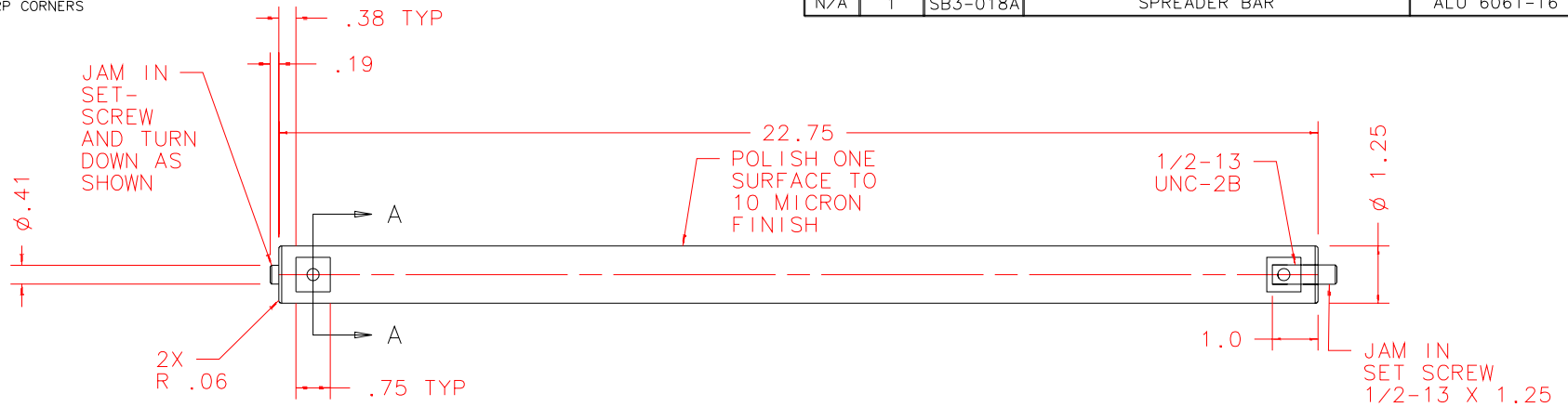


NOTES: UNLESS OTHERWISE NOTED

1. MACHINED SURFACE ROUGHNESS 64  
O-RING GROOVES AND SURFACES 32
2. REMOVE ALL BURRS/SHARP CORNERS

| BILL OF MATERIAL |       |          |              |             |
|------------------|-------|----------|--------------|-------------|
| NO.              | REQ'D | REF DRW  | DESCRIPTION  | MATERIAL    |
| N/A              | 1     | SB3-018A | SPREADER BAR | ALU 6061-T6 |



SECTION A-A:  
SCALE 2:1  
2 PLCS

|                     |   |
|---------------------|---|
| REVDATE: 01/08/99   | REVISION: ADD FLATS&HOLES                       |
| REVDATE: N/A        | REVISION: N/A                                   |
| DATE: 01/08/97      | <b>INSTITUTE FOR ASTRONOMY</b>                  |
| DESIGN: STAHLBERGER | 2680 WOODLAWN DR. HONOLULU, HI 96822            |
| DRAWN: STAHLBERGER  | INSTRUMENT: SPEX - CROSS DISPERSED SPECTROGRAPH |
| APPR'D: J. RAYNER   | PART NAME: SPREADER BAR                         |
| <b>TOLERANCES</b>   |   |
| X.X                 | +/- .015  |
| X.XX                | +/- .005  |
| X.XXX               | +/- .002  |
| ANGLE               | +/- 30 min                                      |
| FRACTION            | +/- 1/32  |
| TELESCOPE: IRTF     |   |
| DRW NO: SB3-018A    | SCALE: 1:4                                      |
| SIZE: A             | JOS NO: 762                                     |
|                     | SHEET: 1 OF 1                                   |

PLOT:10/19/99

SB0-001B  
NEXT ASSY