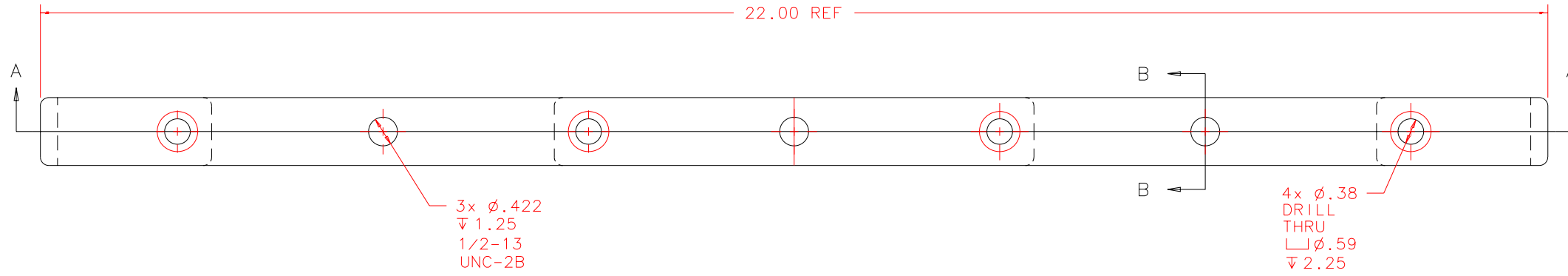


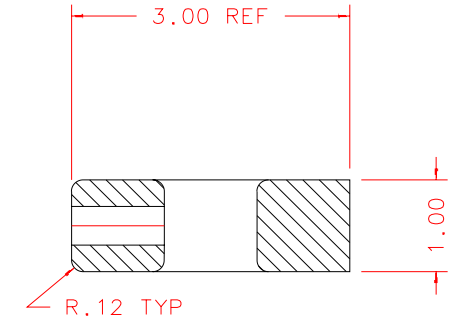
NOTES: UNLESS OTHERWISE NOTED  
 1. MACHINED SURFACE ROUGHNESS 64  
 O-RING GROOVES AND SURFACES 32  
 2. REMOVE ALL BURRS/SHARP CORNERS

EPOXY PAINT:  
 SAME COLOR AS  
 VACUUM JACKET

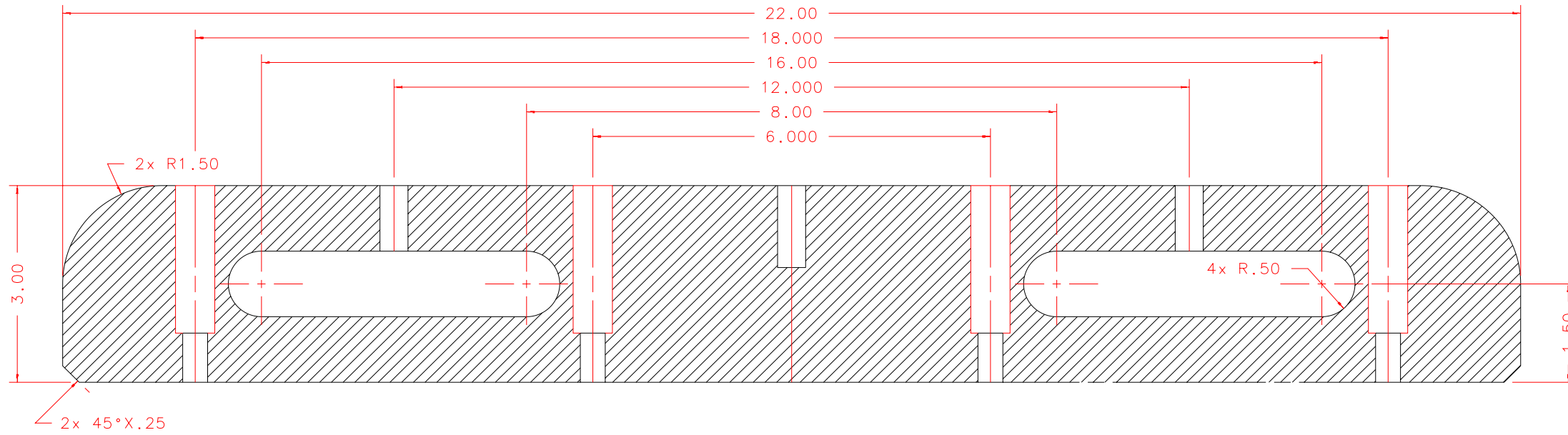
BILL OF MATERIAL				
NO.	REQ'D	REF DRW	DESCRIPTION	MATERIAL
N/A	2	SB3-021B	STIFFENING RIB	ALU 6061-T6



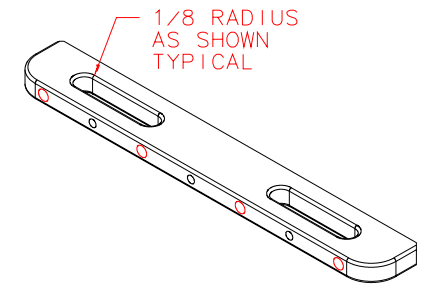
FRONT: SCALE 1:2



SECTION B-B:  
 SCALE 1:2



SECTION A-A: SCALE 1:2



ISOVIEW 5  
 SCALE 1:8

PLOT: 10/19/99

SB0-001B  
 NEXT ASSY

REVD: N/A	REVISION: N/A
DATE: 02/09/99	<b>INSTITUTE FOR ASTRONOMY</b>
DESIGN: STAHLBERGER	2680 WOODLAWN DR. HONOLULU, HI 96822
DRAWN: STAHLBERGER	INSTRUMENT: SPEX - CROSS DISPERSED SPECTROGRAPH
APPR'D: J. RAYNER	PART NAME: STIFFENING RIB
<b>TOLERANCES</b>	
X.X	+/- .015
X.XX	+/- .005
X.XXX	+/- .002
ANGLE	+/- 30 min
FRACTION	+/- 1/32
DRW NO: SB3-021B	SCALE: NOTED
SIZE: B	JOS NO: 725
	SHEET: 1 OF 1