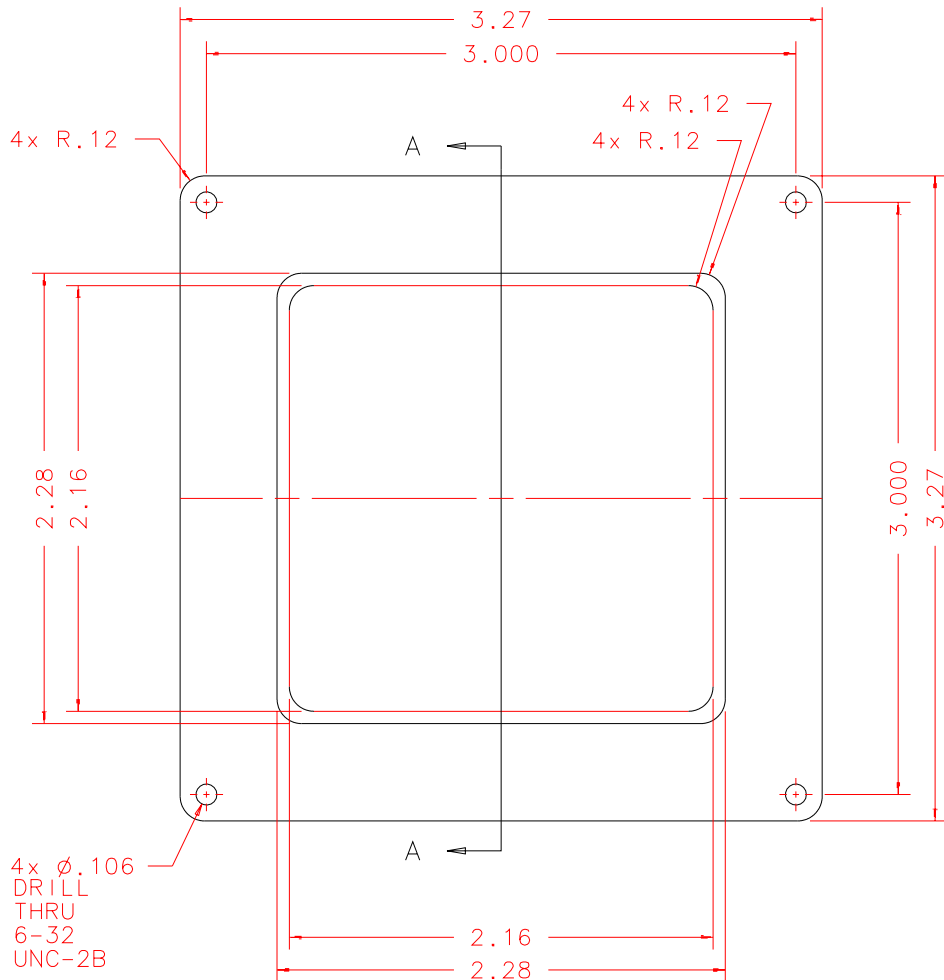


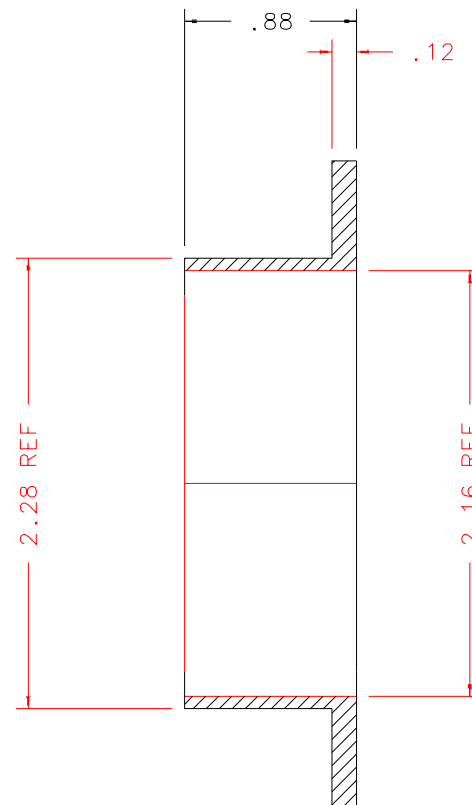
NOTES: UNLESS OTHERWISE NOTED

1. MACHINED SURFACE ROUGHNESS 64
O-RING GROOVES AND SURFACES 32
2. REMOVE ALL BURRS/SHARP CORNERS



FRONT

BILL OF MATERIAL				
NO.	REQ'D	REF DRW	DESCRIPTION	MATERIAL
N/A	1	SO1-011A	BAFFLE3 ON IMAGER BOX	ALU 6061-T6



SECTION A-A

REVDATE: 10/11/99	REVISION: DIM .88 WAS 1.00
REVDATE: N/A	REVISION: N/A
DATE: 03/05/98	INSTITUTE FOR ASTRONOMY
DESIGN: STAHLBERGER	2680 WOODLAWN DR. HONOLULU, HI 96822
DRAWN: STAHLBERGER	INSTRUMENT: SPEX - CROSS DISPERSED SPECTROGRAPH
APPR'D: J. RAYNER	PART NAME: BAFFLE3 ON IMAGER BOX
TOLERANCES	
X.X	+/- .015
X.XX	+/- .005
X.XXX	+/- .002
ANGLE	+/- 30 min
FRACTION	+/- 1/32
TELESCOPE: IRTF	
DRW NO: SO1-011A	SCALE: 1:1
SIZE: A	JOS NO: 725
	SHEET: 1 OF 1

S00-001B
NEXT ASSY

PLOT:10/19/99