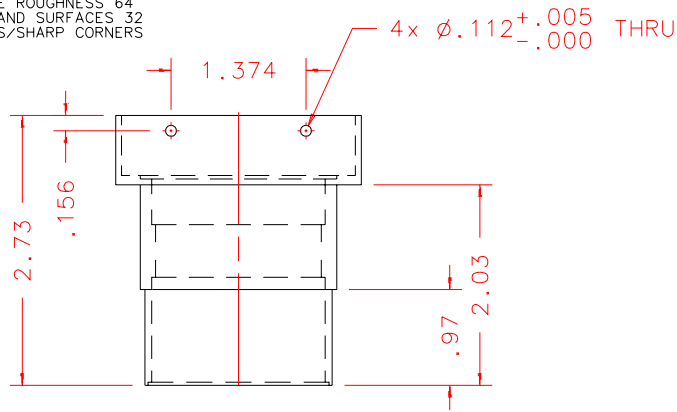
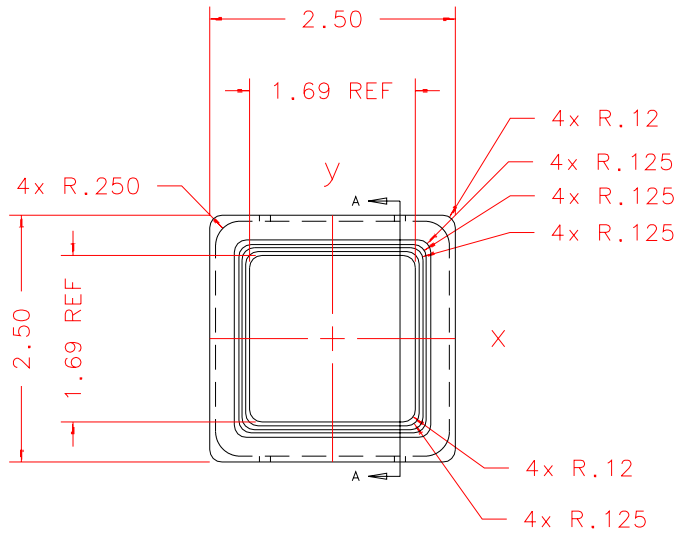


NOTES: UNLESS OTHERWISE NOTED

1. MACHINED SURFACE ROUGHNESS 64  
O-RING GROOVES AND SURFACES 32
2. REMOVE ALL BURRS/SHARP CORNERS



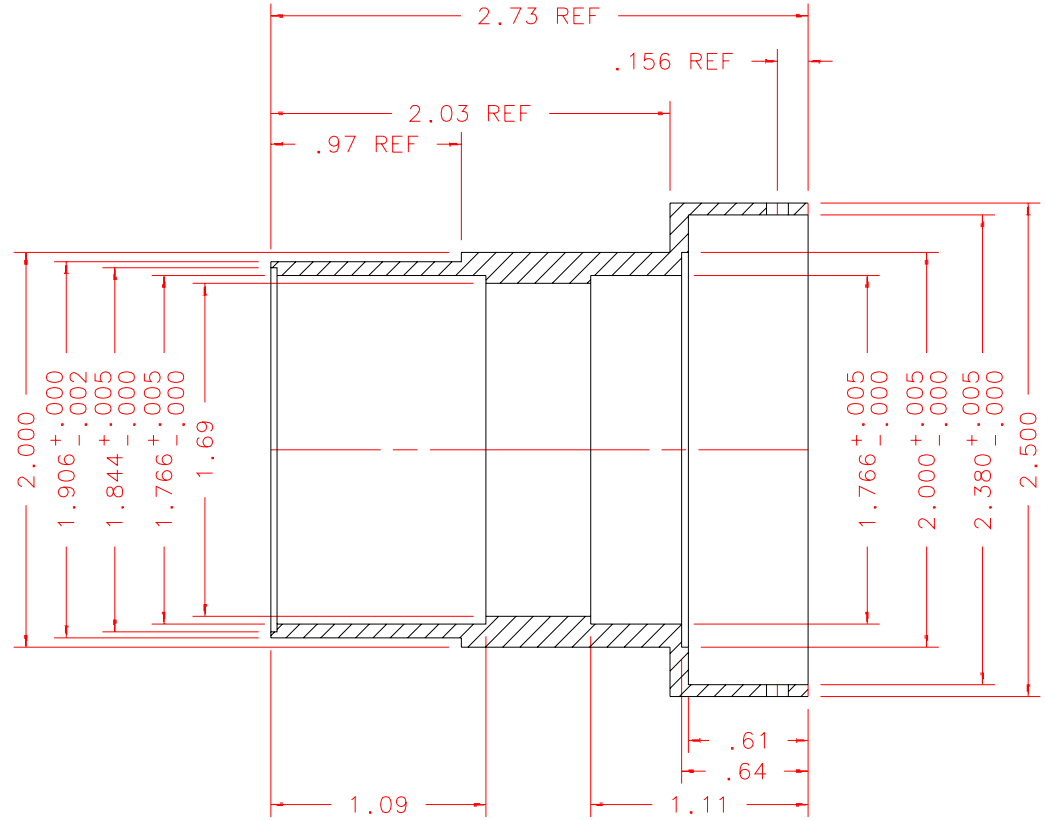
TOP



NOTE: PART IS SYMMETRIC ABOUT X AND Y AXIS

FRONT

BILL OF MATERIAL				
NO.	REQ'D	REF DRW	DESCRIPTION	MATERIAL
N/A	1	S01-015A	IMAGER BAFFLE TUBE WIDE	ALU 6061-T6



SECTION A-A: SCALE 1:1

REVDATE: N/A	REVISION: N/A
DATE: 04/03/98	<b>INSTITUTE FOR ASTRONOMY</b>
DESIGN: STAHLBERGER	2680 WOODLAWN DR. HONOLULU, HI 96822
DRAWN: STAHLBERGER	INSTRUMENT: SPEX - CROSS DISPERSED SPECTROGRAPH
APPR'D: J. RAYNER	PART NAME: IMAGER BAFFLE TUBE WIDE
	TELESCOPE: IRTF
<b>TOLERANCES</b>	
X.X	+/- .015
X.XX	+/- .005
X.XXX	+/- .002
ANGLE	+/- 30 min
FRACTION	+/- 1/32
S01-001B	DRW NO: S01-015A
NEXT ASSY	SCALE: 1:2
	SIZE: A
	JOS NO: 725
	SHEET: 1 OF 2

PLOT: 10/19/99