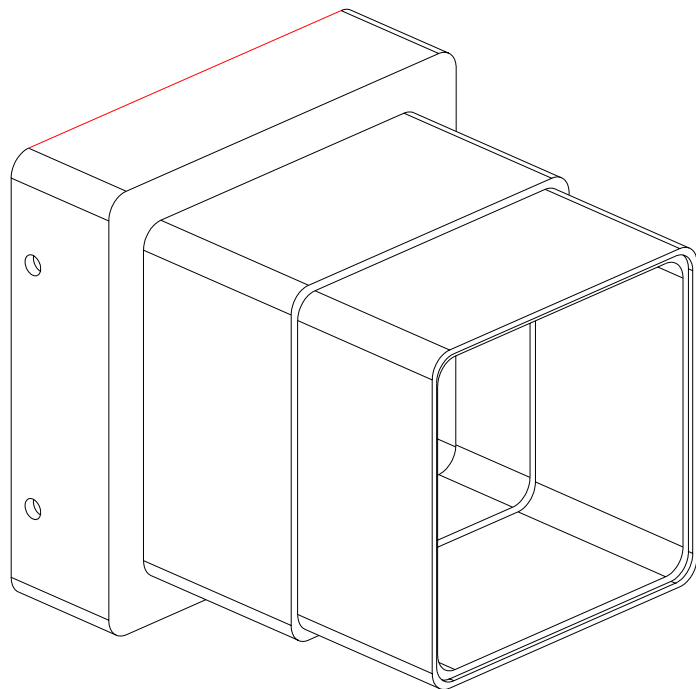


NOTES: UNLESS OTHERWISE NOTED

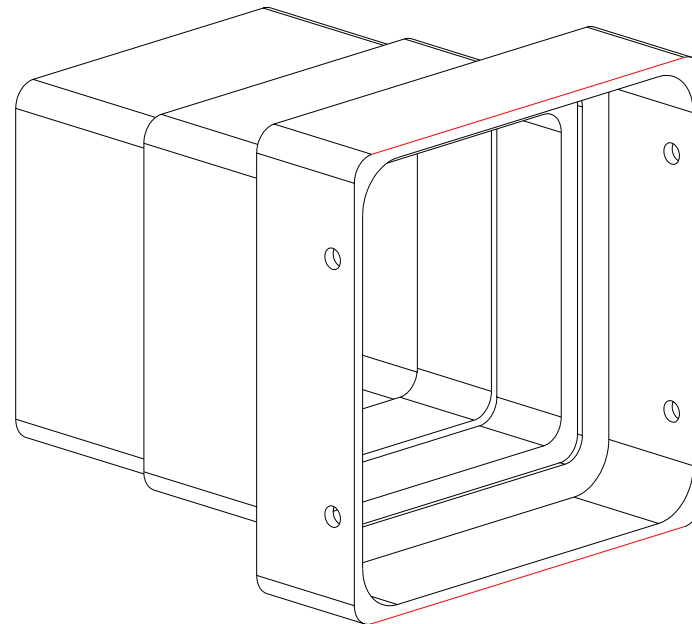
1. MACHINED SURFACE ROUGHNESS 64  
O-RING GROOVES AND SURFACES 32
2. REMOVE ALL BURRS/SHARP CORNERS

BILL OF MATERIAL

NO.	REQ'D	REF DRW	DESCRIPTION	MATERIAL
N/A	1	SO1-015A	IMAGER BAFFLE TUBE WIDE	ALU 6061-T6



ISOVIEW 4: SCALE FULL



ISOVIEW 5: SCALE FULL

PLOT: 10/19/99

S01-001B
NEXT ASSY

REVDATE: N/A	REVISION: N/A
DATE: 04/03/98	<b>INSTITUTE FOR ASTRONOMY</b>
DESIGN: STAHLBERGER	2680 WOODLAWN DR. HONOLULU, HI 96822
DRAWN: STAHLBERGER	INSTRUMENT: SPEX - CROSS DISPERSED SPECTROGRAPH
APPR'D: J. RAYNER	PART NAME: IMAGER BAFFLE TUBE WIDE
	TELESCOPE: IRTF
	DRW NO: S01-015A
	SCALE: 1:2
	SIZE: A
	JOS NO: 725
	SHEET: 2 OF 2

TOLERANCES	
X.X	+/- .015
X.XX	+/- .005
X.XXX	+/- .002
ANGLE	+/- 30 min
FRACTION	+/- 1/32