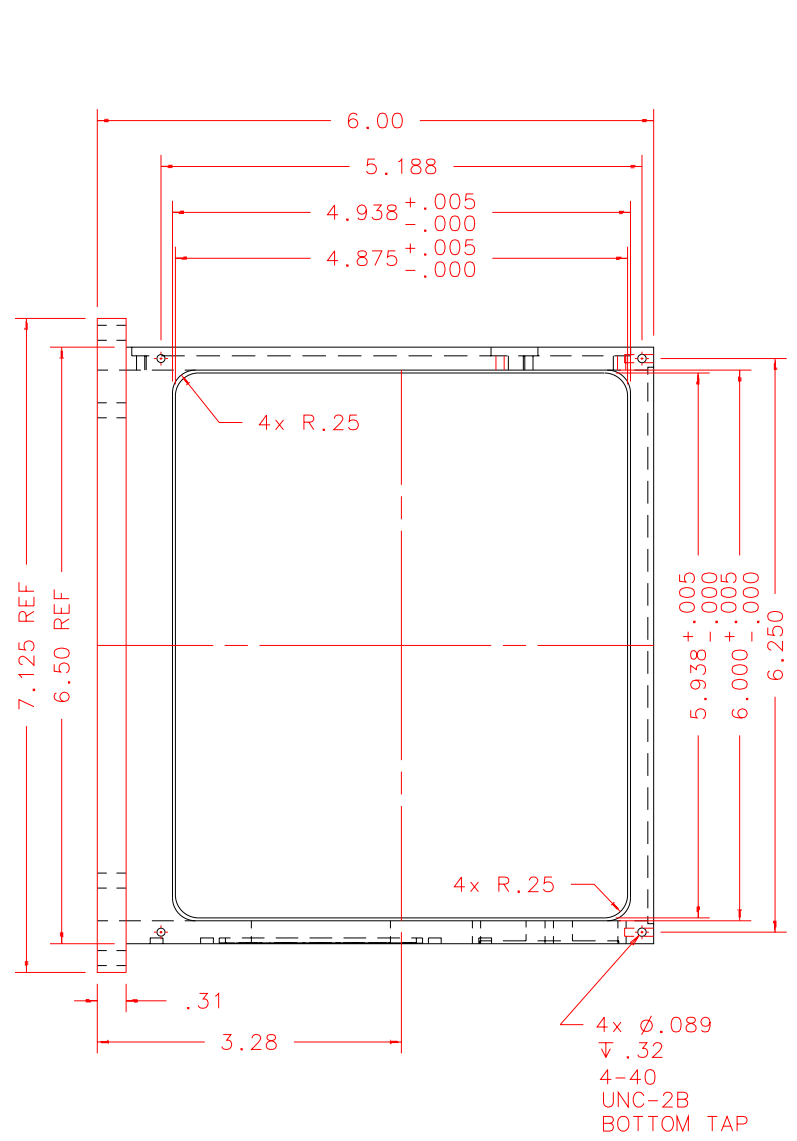
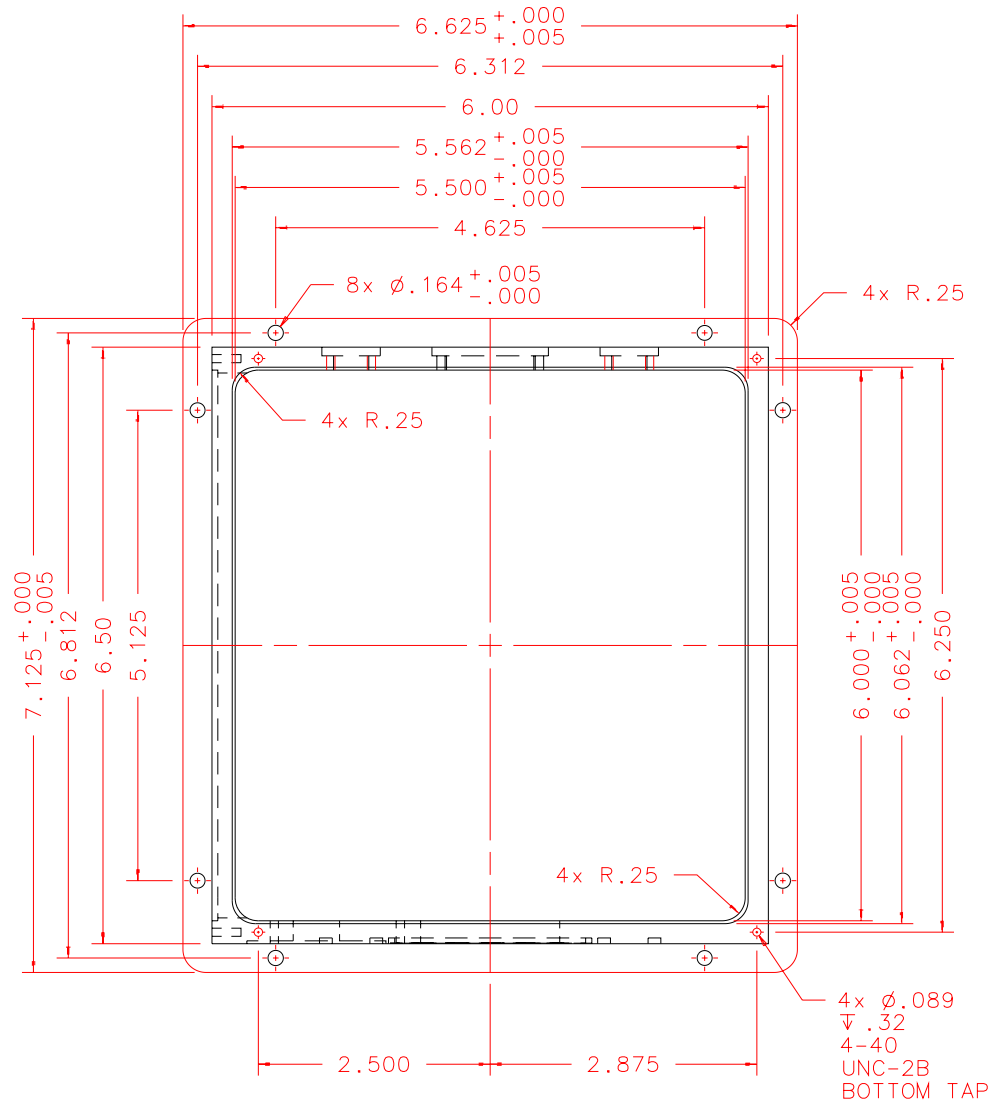


NOTES: UNLESS OTHERWISE NOTED
 1. MACHINED SURFACE ROUGHNESS 64
 O-RING GROOVES AND SURFACES 32
 2. REMOVE ALL BURRS/SHARP CORNERS

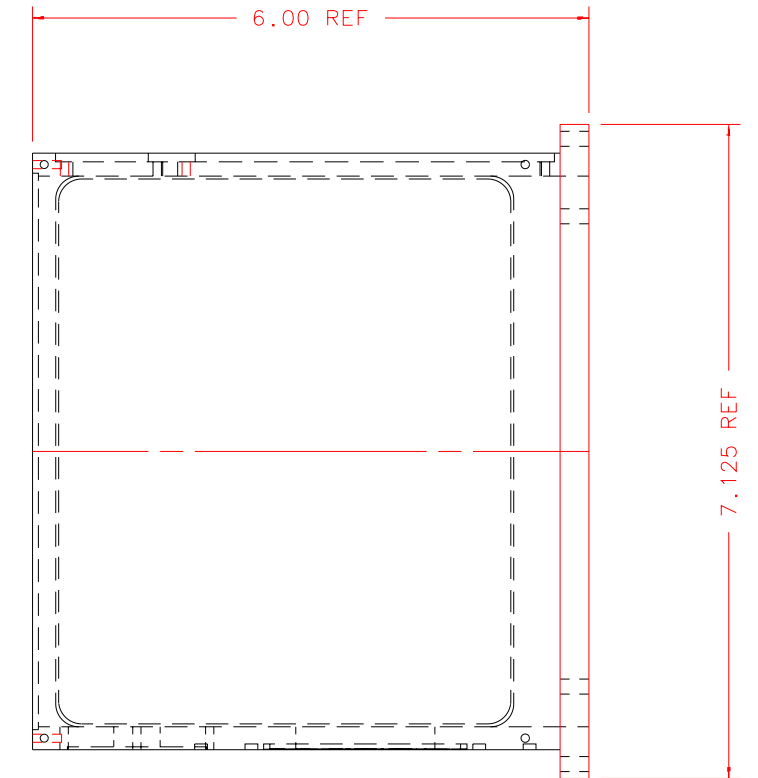
BILL OF MATERIAL				
NO.	REQ'D	REF DRW	DESCRIPTION	MATERIAL
N/A	1	S01-016B	IMAGER COVER BOX	ALU 6061-T6



LEFT: SCALE 1:2



FRONT: SCALE 1:2



RIGHT: SCALE 1:2

REVDATE: 11/20/98	REVISION: ADD SECOND CON.CAVITY
REVDATE: 11/20/98	REVISION: DIM 1.50 WAS 1.12 TOP VIEW
REVDATE: 11/20/98	REVISION: ADD DIM 1.12 TOP VIEW
REVDATE: N/A	REVISION: N/A
DATE: 04/03/98	INSTITUTE FOR ASTRONOMY
DESIGN: STAHLBERGER	2680 WOODLAWN DR. HONOLULU, HI 96822
DRAWN: STAHLBERGER	INSTRUMENT: SPEX - CROSS DISPERSED SPECTROGRAPH
APPR'D: J. RAYNER	PART NAME: IMAGER COVER BOX
TOLERANCES	
X.X	+/- .015
X.XX	+/- .005
X.XXX	+/- .002
ANGLE	+/- 30 min
FRACTION	+/- 1/32
TELESCOPE: IRTF	

S01-001B	DRW NO: S01-016B	SCALE: NOTED
NEXT ASSY	SIZE: B	JOS NO: 725
		SHEET: 1 OF 4

PLOT: 10/19/99