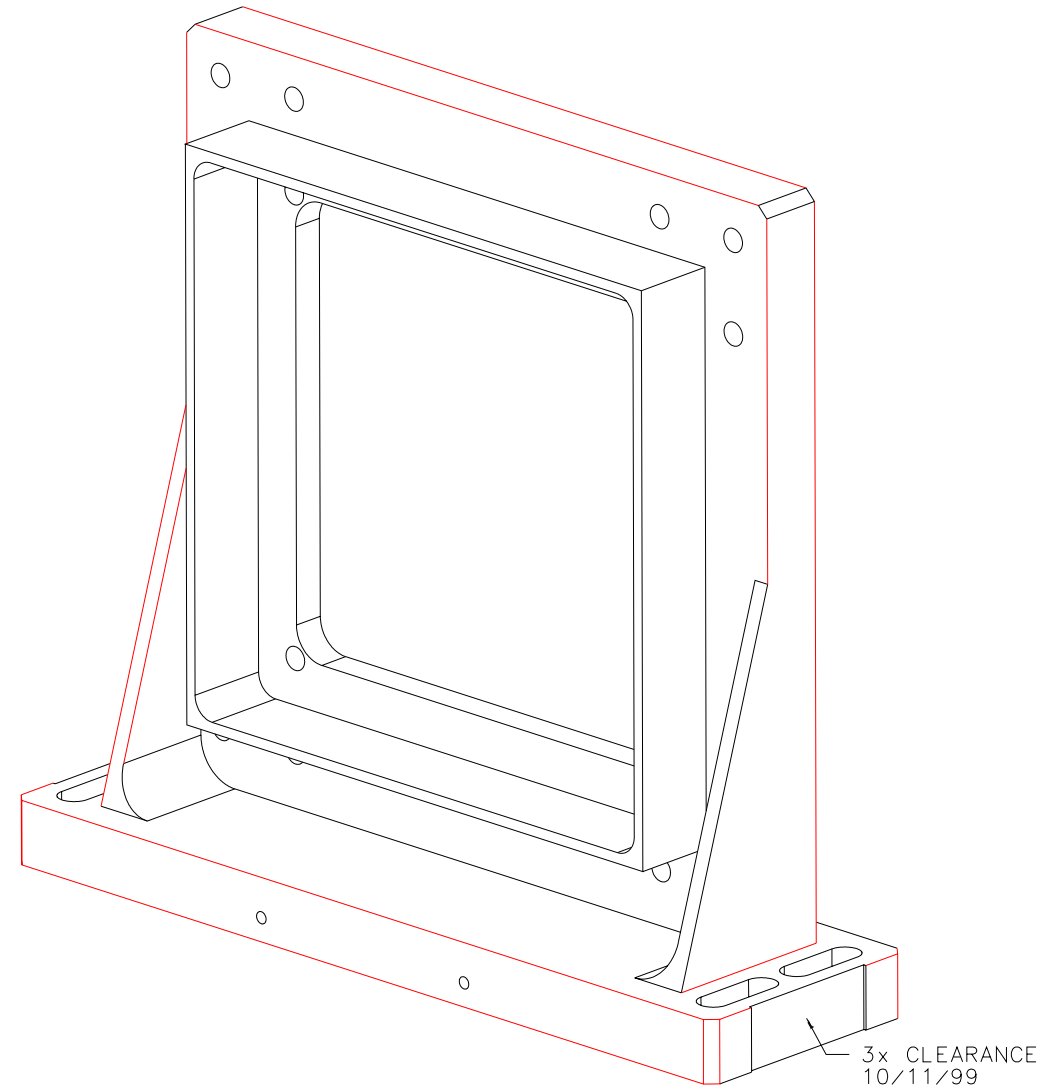
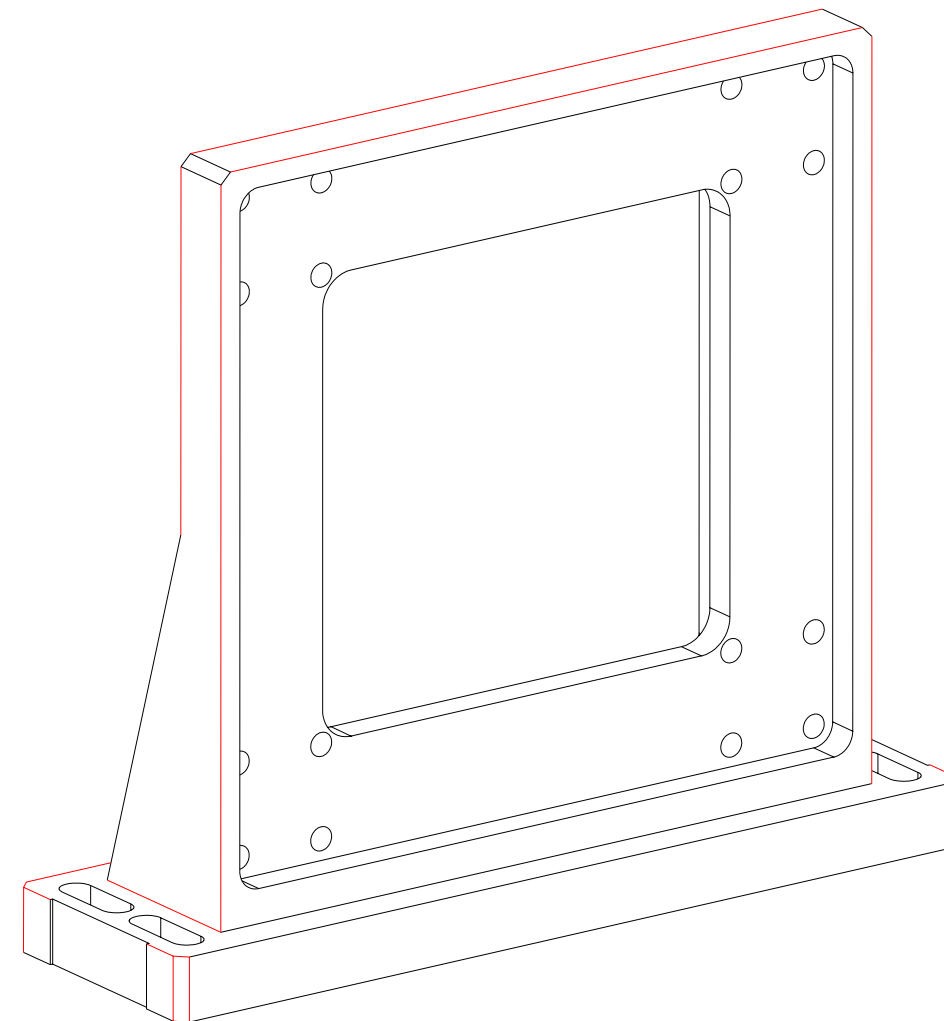


NOTES: UNLESS OTHERWISE NOTED
 1. MACHINED SURFACE ROUGHNESS 64
 O-RING GROOVES AND SURFACES 32
 2. REMOVE ALL BURRS/SHARP CORNERS

BILL OF MATERIAL				
NO.	REQ'D	REF DRW	DESCRIPTION	MATERIAL
N/A	1	S01-017B	IMAGER L-BRACKET	ALU 6061-T6



ISOVIEW 5: SCALE FULL



ISOVIEW 6: SCALE FULL

PLOT: 10/19/99

S01-001B	NEXT ASSY
----------	-----------

REVDATE: 10/11/99	REVISION: ADD 3x CLEARANCE CUTS
REVDATE: N/A	REVISION: N/A
DATE: 04/04/98	INSTITUTE FOR ASTRONOMY
DESIGN: STAHLBERGER	2680 WOODLAWN DR. HONOLULU, HI 96822
DRAWN: STAHLBERGER	INSTRUMENT: SPEX - CROSS DISPERSED SPECTROGRAPH
APPR'D: J. RAYNER	PART NAME: IMAGER L-BRACKET
TOLERANCES	
X.X	+/- .015
X.XX	+/- .005
X.XXX	+/- .002
ANGLE	+/- 30 min
FRACTION	+/- 1/32
DRW NO: S01-017B	SCALE: NOTED
SIZE: B	JOS NO: 725
SHEET: 3 OF 3	