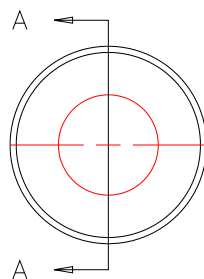


NOTES: UNLESS OTHERWISE NOTED

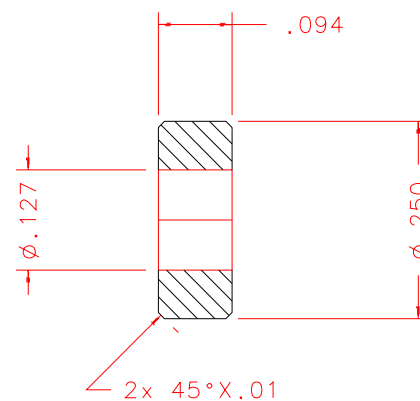
1. MACHINED SURFACE ROUGHNESS 64
O-RING GROOVES AND SURFACES 32
2. REMOVE ALL BURRS/SHARP CORNERS

BILL OF MATERIAL

NO.	REQ'D	REF DRW	DESCRIPTION	MATERIAL
N/A	8	SO1-023A	SHOULDER SCREW WASHER	ALU 6061-T6



FRONT



SECTION A-A

PLOT: 10/19/99

S01-001B
NEXT ASSY

REVDATE: N/A	REVISION: N/A
DATE: 06/17/98	INSTITUTE FOR ASTRONOMY 2680 WOODLAWN DR. HONOLULU, HI 96822 INSTRUMENT: SPEX - CROSS DISPERSED SPECTROGRAPH PART NAME: SHOULDER SCREW WASHER TELESCOPE: IRTF
DESIGN: STAHLBERGER	
DRAWN: STAHLBERGER	
APPR'D: J. RAYNER	
TOLERANCES	
X.X	+/- .015
X.XX	+/- .005
X.XXX	+/- .002
ANGLE	+/- 30 min
FRACTION	+/- 1/32
DRW NO: S01-023A	SCALE: 4:1
SIZE: A	JOS NO: 725
SHEET: 1 OF 1	