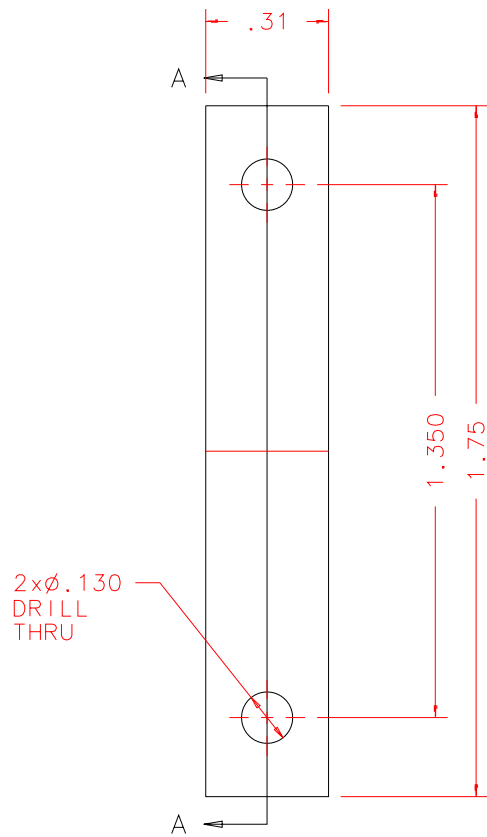


NOTES: UNLESS OTHERWISE NOTED

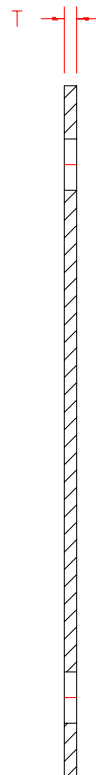
1. MACHINED SURFACE ROUGHNESS 64  
O-RING GROOVES AND SURFACES 32
2. REMOVE ALL BURRS/SHARP CORNERS

BILL OF MATERIAL				
NO.	REQ'D	REF DRW	DESCRIPTION	MATERIAL
N/A	N/A	SO1-026A	IMAGER TAB BASE SPACER	ALU OR BRASS



2x $\phi$ .130  
DRILL  
THRU

FRONT



SECTION A-A

THICKNESS T	QUANTITY
.031	6
.020	4
.010	6
.005	12
.002	12

PLOT: 10/19/99

SO1-001B
NEXT ASSY

REVDATE: N/A	REVISION: N/A
DATE: 10/28/98	<b>INSTITUTE FOR ASTRONOMY</b> 2680 WOODLAWN DR. HONOLULU, HI 96822
DESIGN: STAHLBERGER	
DRAWN: STAHLBERGER	INSTRUMENT: SPEX - CROSS DISPERSED SPECTROGRAPH PART NAME: IMAGER TAB BASE SPACER TELESCOPE: IRTF
APPR'D: J. RAYNER	
TOLERANCES	
X.X	+/- .015
X.XX	+/- .005
X.XXX	+/- .002
ANGLE	+/- 30 min
FRACTION	+/- 1/32
DRW NO: SO1-026A	SCALE: 2:1
SIZE: A	JOS NO: 725
SHEET: 1 OF 1	