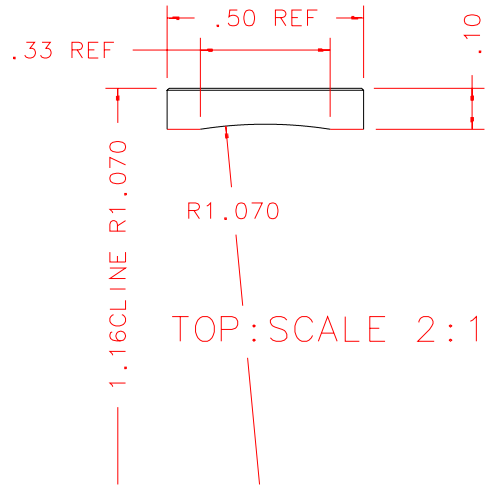


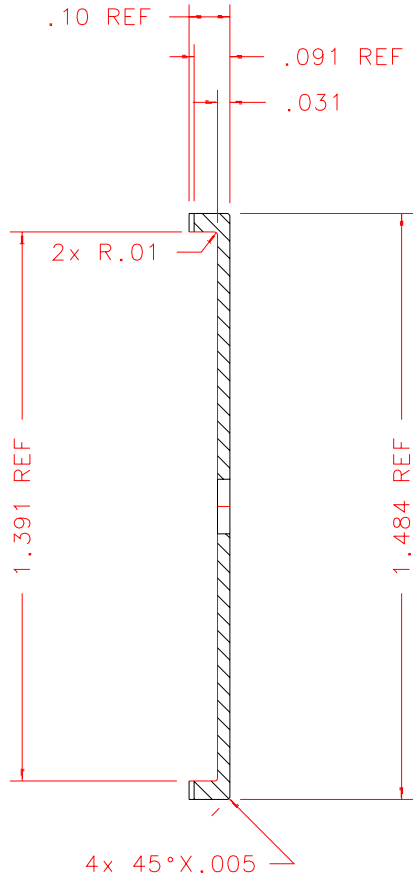
NOTES: UNLESS OTHERWISE NOTED

1. MACHINED SURFACE ROUGHNESS 64
O-RING GROOVES AND SURFACES 32
2. REMOVE ALL BURRS/SHARP CORNERS

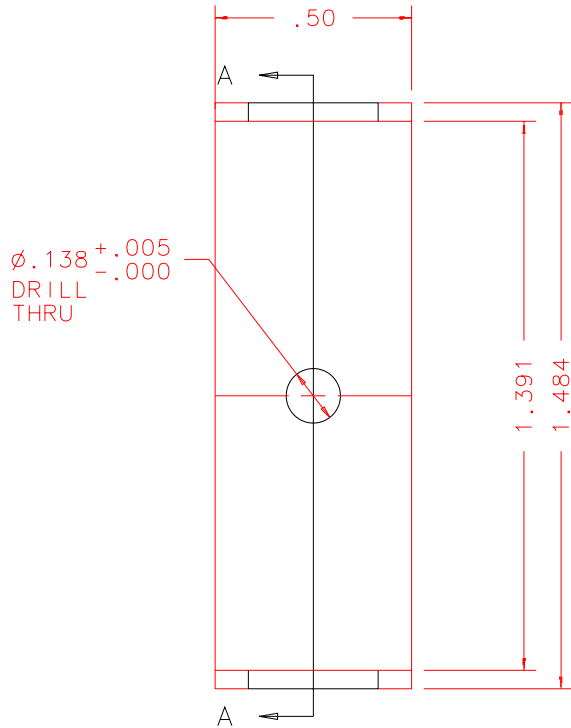
BILL OF MATERIAL				
NO.	REQ'D	REF DRW	DESCRIPTION	MATERIAL
N/A	2	SO2-020A	TUBE CLIP	PHOS. BRONZE



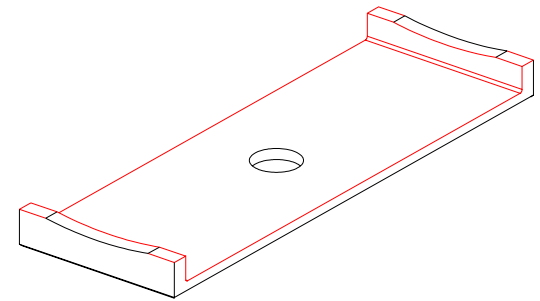
TOP: SCALE 2:1



SECTION A-A: SCALE 2:1



FRONT: SCALE 2:1



ISOVIEW 4: SCALE 2:1

PLOT: 10/19/99

SO2-001A
NEXT ASSY

REVDATE: N/A	REVISION: N/A
DATE: 10/28/98	INSTITUTE FOR ASTRONOMY 2680 WOODLAWN DR. HONOLULU, HI 96822
DESIGN: STAHLBERGER	
DRAWN: STAHLBERGER	INSTRUMENT: SPEX - CROSS DISPERSED SPECTROGRAPH
APPR'D: J. RAYNER	PART NAME: TUBE CLIP
TOLERANCES	
X.X	+/- .015
X.XX	+/- .005
X.XXX	+/- .002
ANGLE	+/- 30 min
FRACTION	+/- 1/32
DRW NO: SO2-020A	SCALE: NOTED
SIZE: A	JOS NO: 725
SHEET: 1 OF 1	