

NOTES: UNLESS OTHERWISE NOTED

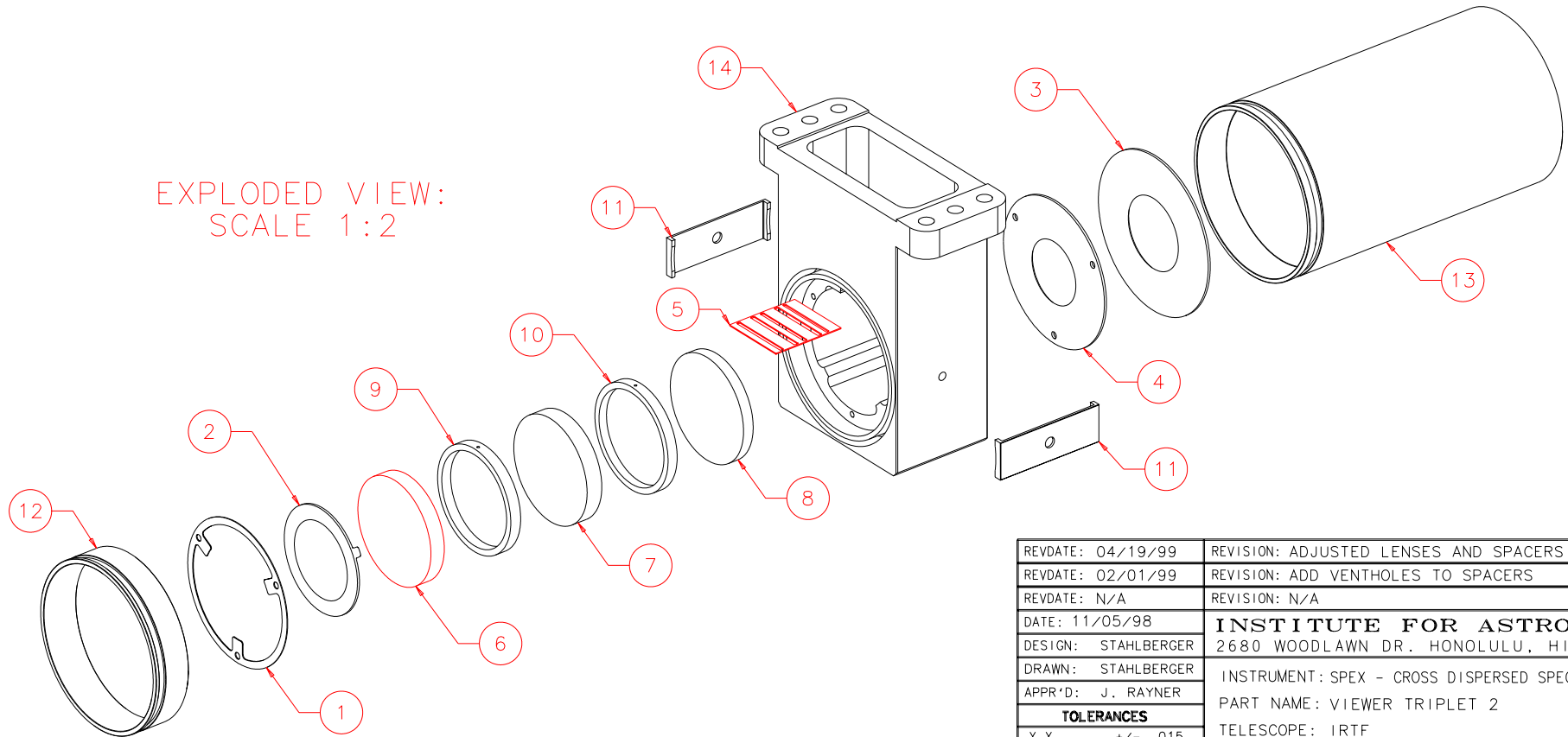
1. MACHINED SURFACE ROUGHNESS 64
O-RING GROOVES AND SURFACES 32
2. REMOVE ALL BURRS/SHARP CORNERS

NOTE: ASSEMBLY VIEWER TRIPLET1 S02-001A
AND VIEWER TRIPLET2 S03-001A
HAVE COMMON PARTS.
BUNDLE TOGETHER WHEN
FABRICATING.

BILL OF MATERIAL

NO.	REQ'D	REF DRW	DESCRIPTION	MATERIAL
N/A	1	S03-001A	VIEWER TRIPLET 2	N/A
1	1	S02-011A	AXIAL SPRING	PHOS.BRONZE
2	1	S03-011A	AXIAL SPRING SPACER2	ALU 6061-T6
3	1	S03-012A	BAFFLE TUBE4	ALU 6061-T6
4	1	S03-013A	LENSMOUNT BAFFLE 2	ALU 6061-T6
5	1	S02-019A	RADIAL SPRING	PHOS.BRONZE
6	1	S03-011A	LENS 7	ZNS
7	1	S03-012A	LENS 8	LIF
8	1	S03-013A	LENS 9	BAF2
9	1	S03-014A	LENS SPACER 1	ALU 6061-T6
10	1	S03-015A	LENS SPACER 2	ALU 6061-T6
11	2	S02-020A	TUBE CLIP	PHOS.BRONZE
12	1	S03-015A	TUBE3	ALU 6061-T6
13	1	S03-016A	TUBE4	ALU 6061-T6
14	1	S02-025B	VIEWER TRIPLET LENS MOUNT	ALU 6061-T6

EXPLODED VIEW:
SCALE 1:2



REVDATE: 04/19/99	REVISION: ADJUSTED LENSES AND SPACERS
REVDATE: 02/01/99	REVISION: ADD VENTHOLES TO SPACERS
REVDATE: N/A	REVISION: N/A
DATE: 11/05/98	INSTITUTE FOR ASTRONOMY
DESIGN: STAHLBERGER	2680 WOODLAWN DR. HONOLULU, HI 96822
DRAWN: STAHLBERGER	INSTRUMENT: SPEX - CROSS DISPERSED SPECTROGRAPH
APPR'D: J. RAYNER	PART NAME: VIEWER TRIPLET 2
	TELESCOPE: IRTF
	DRW NO: S03-001A
	SCALE: NOTED
	SIZE: A
	JOS NO: 725
	SHEET: 1 OF 2

PLOT:10/19/99

S00-001B
NEXT ASSY

TOLERANCES	
X.X	+/- .015
X.XX	+/- .005
X.XXX	+/- .002
ANGLE	+/- 30 min
FRACTION	+/- 1/32