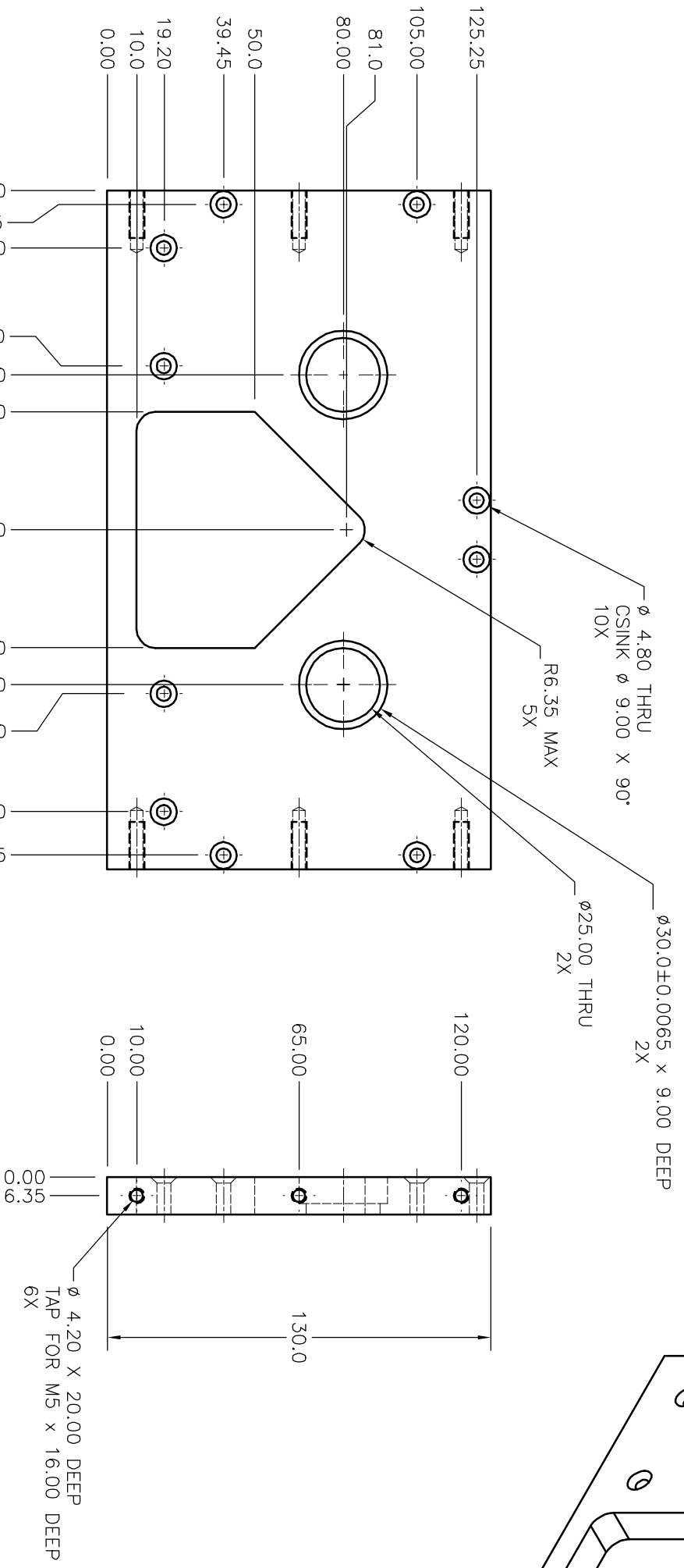
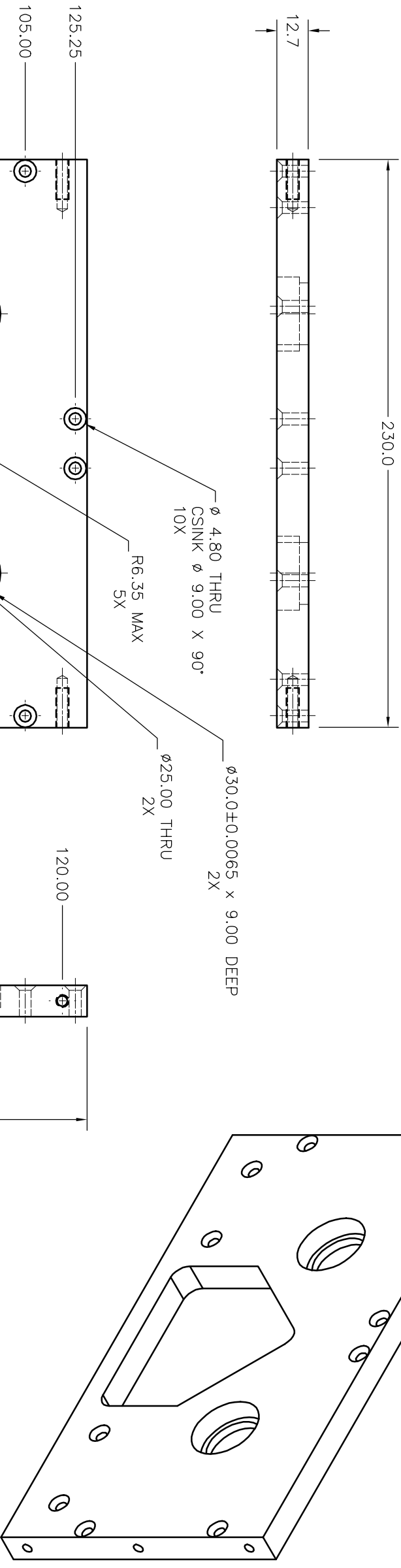


BILL OF MATERIAL				
ITEM	QTY.	DESCRIPTION	MATERIAL	NOTE
1	1	230.0 x 130.0 x 12.7 Plate	ALUM 6061	



NOTES:
1 REMOVE ALL BURRS AND SHARP EDGES

UNLESS OTHERWISE STATED
ALL DIMENSIONS IN MILLIMETERS

TOLERANCES
X ± 0.500
X.X ± 0.100
X.XX ± 0.050
X.XXX ± 0.010
ANGLE ± 0.30°

MACHINING FINISH
N7 - 1.8µm - 6.3µm

EDGE BREAK
0.3mm x 45°

PROJECT
NASA INFRARED TELESCOPE FACILITY
Institute for Astronomy
University of Hawaii
2680 Woodlawn Drive
Honolulu, HI, 96822

TCS3 LAB MODEL
Crankcase Assembly
Face Plate

REV	LOC	DESCRIPTION	BY	DATE	DESIGNED TB	DRAWN TB	CHECKED TB	SCALE	DWG. No.	REV
1		REQUIRED & ISSUED	TB	Dec 11/03				1:2	2111	1.0
REVISION										