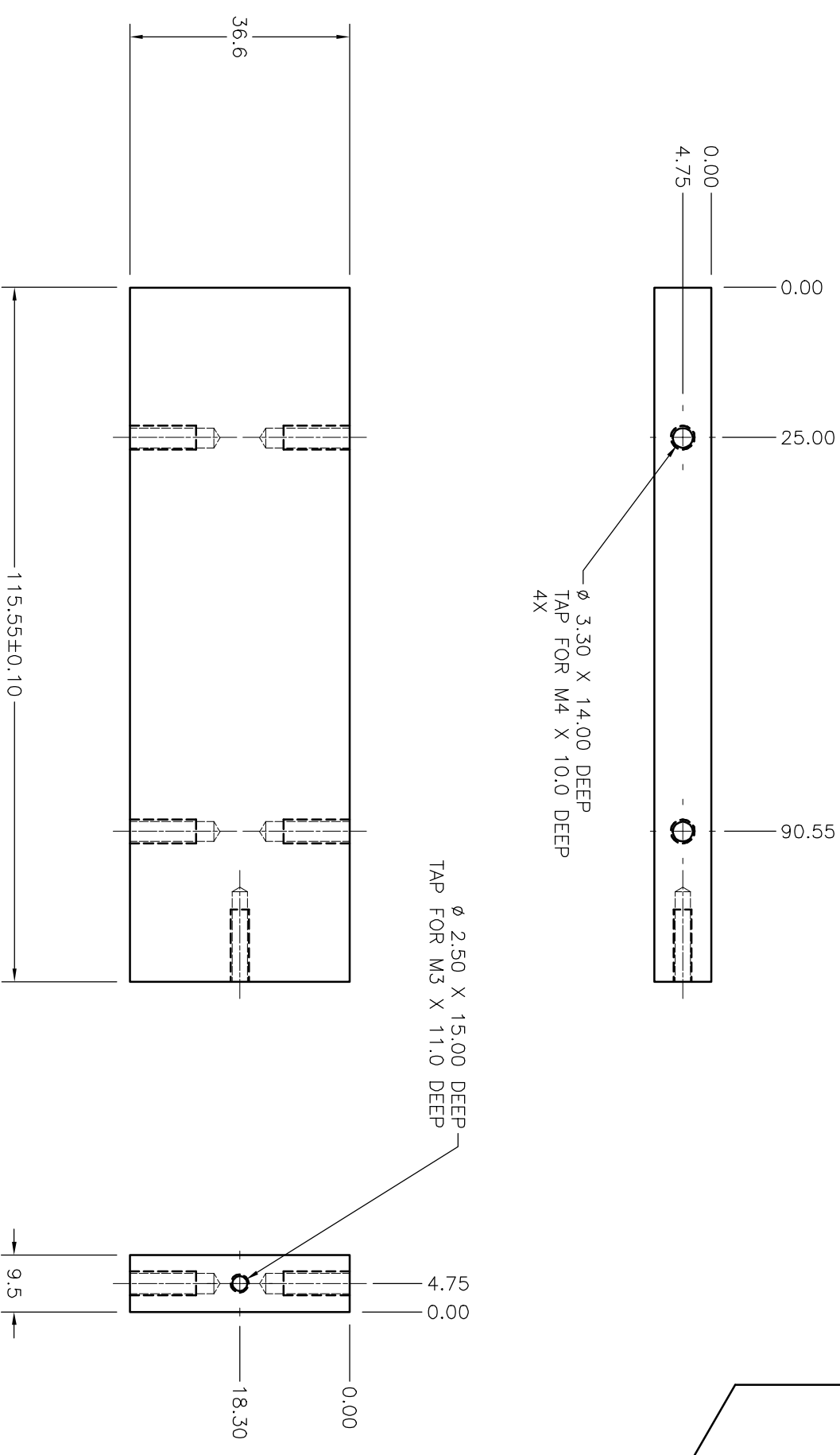
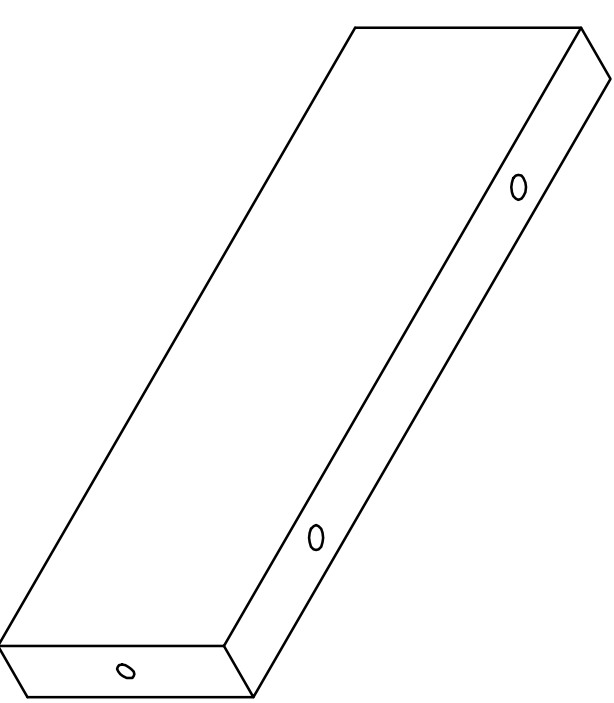


BILL OF MATERIAL				
ITEM	QTY.	DESCRIPTION	MATERIAL	NOTE
1	1	115.55 x 36.6 x 9.5 Plate	ALUM 6061	



NOTES:  
1 REMOVE ALL BURRS AND SHARP EDGES

UNLESS OTHERWISE STATED  
ALL DIMENSIONS IN MILLIMETERS

TOLERANCES  
X ± 0.500  
XX ± 0.100  
XXX ± 0.050  
XXXX ± 0.010  
ANGLE ± 0.30

MACHINING FINISH  
N7 - 1.6µm - 63µin  
EDGE BREAK  
0.3mm x 45°

PROJECT  
NASA INFRARED TELESCOPE FACILITY  
Institute for Astronomy  
University of Hawaii  
2680 Woodlawn Drive  
Honolulu, HI, 96822

REV	LOC	DESCRIPTION	BY	DATE	DESIGNED TB	DRAWN TB	CHECKED TB	SCALE	DWG. No.	REV
1		REVIEWED & ISSUED	TB	Dec 11/03				1:1	2113	1.0
REVISION										

