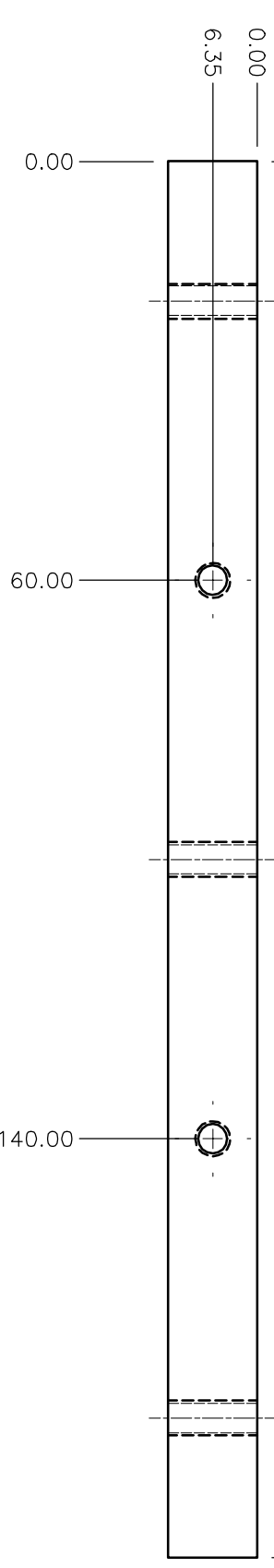
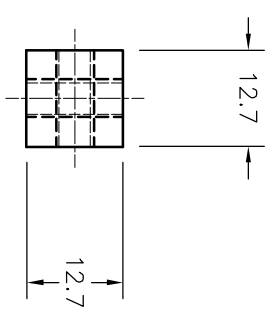
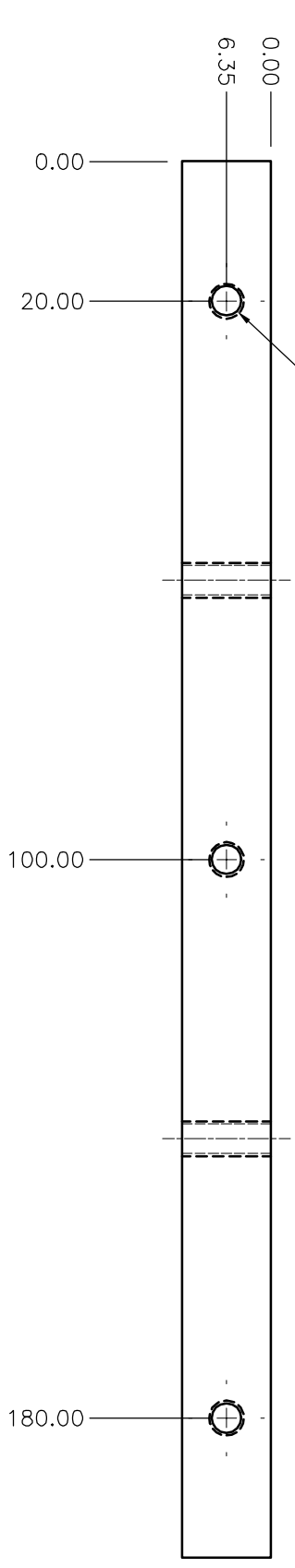


BILL OF MATERIAL			
ITEM	QTY.	DESCRIPTION	MATERIAL
1	1	200.0 x 12.7 x 12.7 Bar	ALUM 6061

Ø 4.20 THRU
TAP FOR M5 THRU
5X



NOTES:
1 REMOVE ALL BURRS AND SHARP EDGES

UNLESS OTHERWISE STATED
ALL DIMENSIONS IN MILLIMETERS

TOLERANCES
X ± 0.500
X.X ± 0.100
X.XX ± 0.050
X.XXX ± 0.010
ANGLE ± 0.50

MACHINING FINISH
N7 - 1.8µM - 6.3µM
EDGE BREAK
0.3mm x 45°

PROJECT
NASA INFRARED TELESCOPE FACILITY
Institute for Astronomy
University of Hawaii
2680 Woodlawn Drive
Honolulu, HI, 96822

REV	LOC	DESCRIPTION	BY	DATE	DESIGNED TB	DRAWN TB	CHECKED TB	SCALE	DWG. No.	REV
1		REVISION						1:1	2001	1.0

