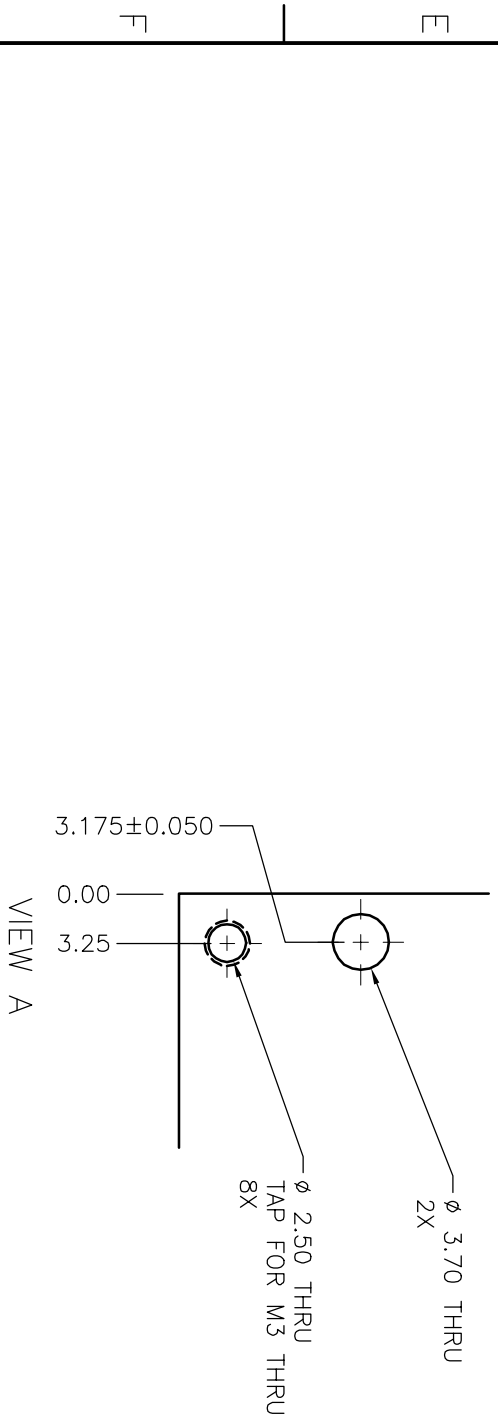
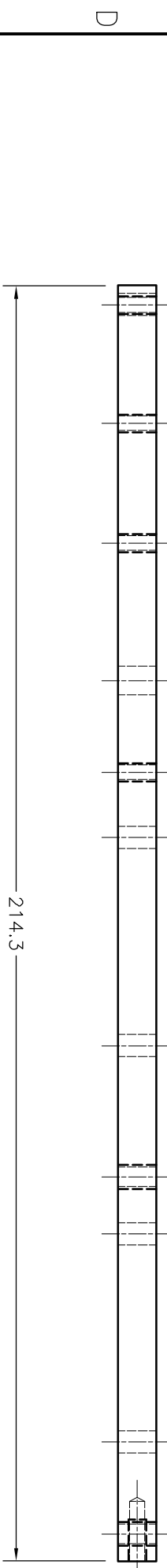
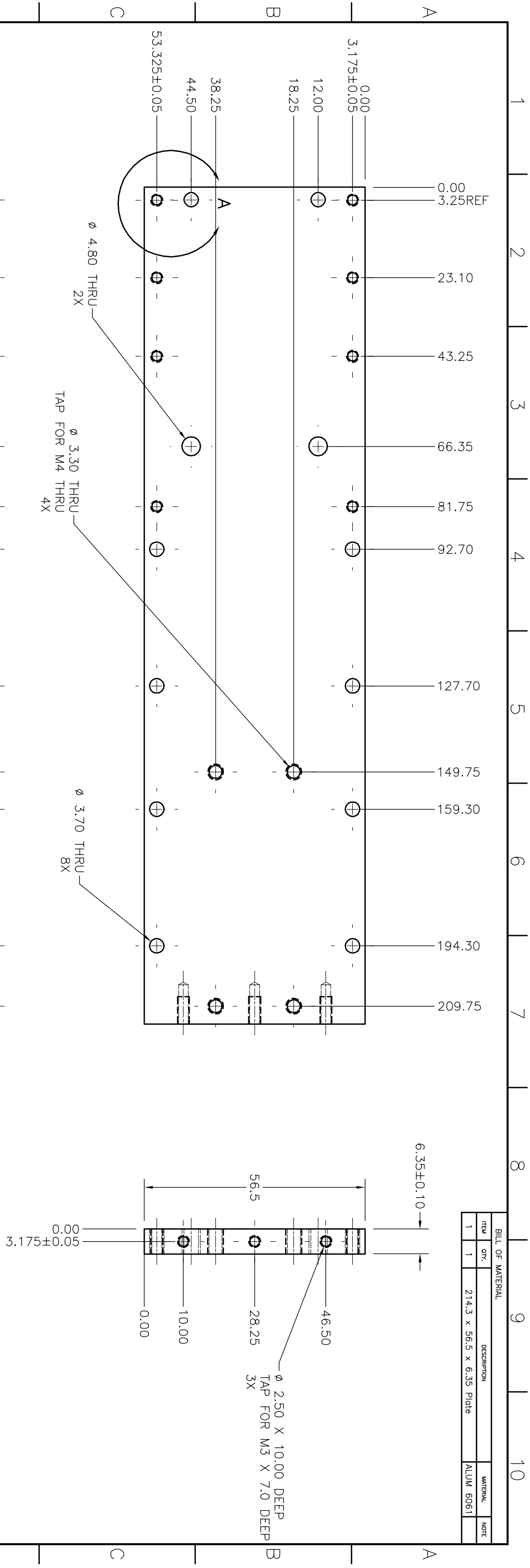


BILL OF MATERIAL				
ITEM	QTY.	DESCRIPTION	MATERIAL	NOTE
1	1	214.3 x 56.5 x 6.35 Plate	ALUM 6061	

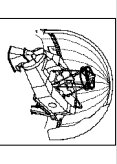


NOTES:
1 REMOVE ALL BURRS AND SHARP EDGES

UNLESS OTHERWISE STATED
ALL DIMENSIONS IN MILLIMETERS

TOLERANCES
X ± 0.500
X.X ± 0.100
X.XX ± 0.050
X.XXX ± 0.010
ANGLE ± 0.30°

MACHINING FINISH
N7 = 1.8µm - 6.3µm
EDGE BREAK



PROJECT
TCS3 LAB MODEL

TITLE
T Axis Assembly
Base Plate

NASA INFRARED TELESCOPE FACILITY
Institute for Astronomy
University of Hawaii
2680 Woodlawn Drive
Honolulu, HI, 96822

REV	LOC	DESCRIPTION	BY	DATE
1		REVIEWED & ISSUED	TB	Dec 11/03

PROJECTION	DESIGNED TB	DRAWN TB	CHECKED TB	SCALE	DWG. No.	REV
0.3mm x 45°	Dec 03	Dec 03	Dec 11/03	1:1	2121	1.0