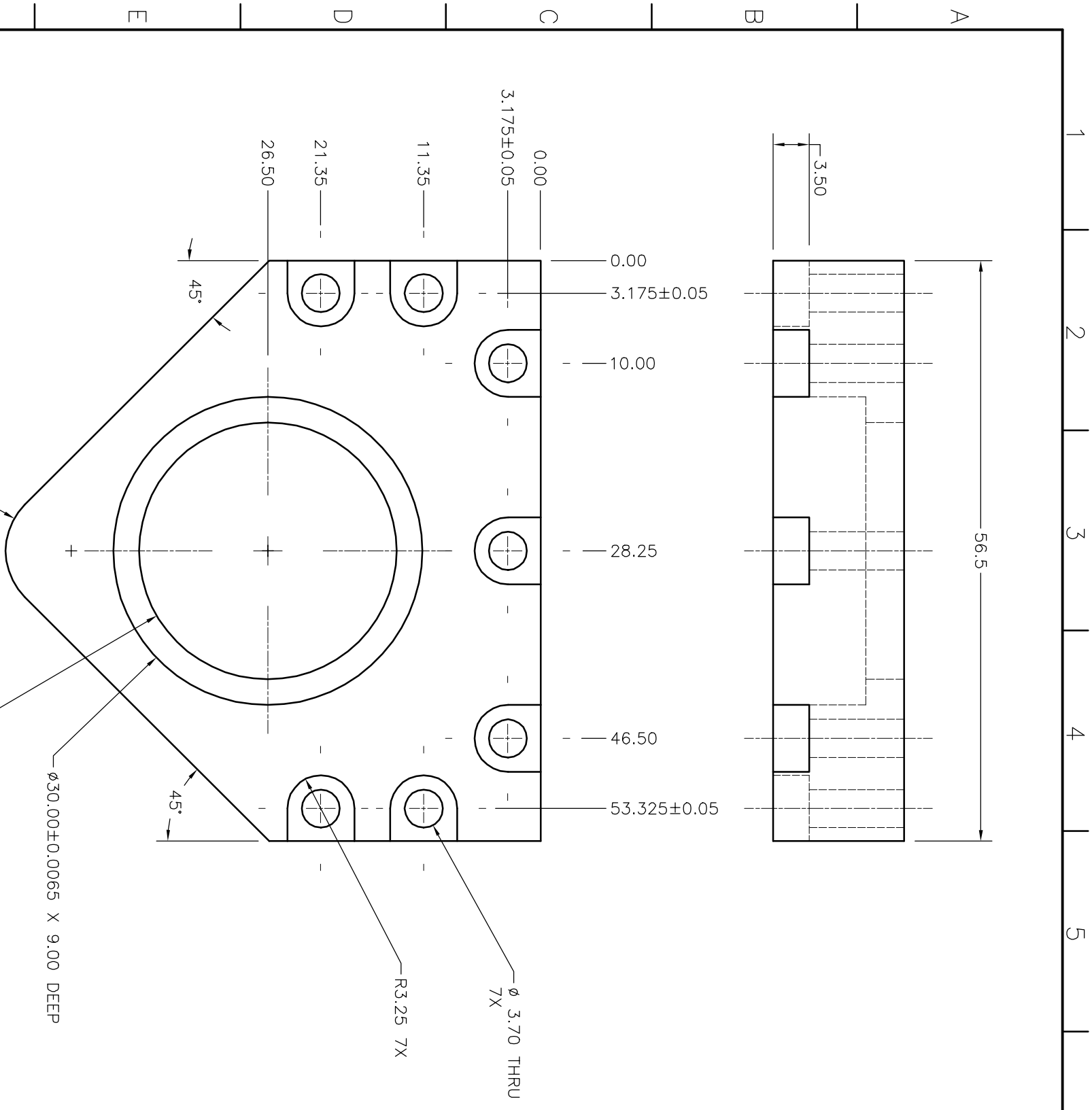
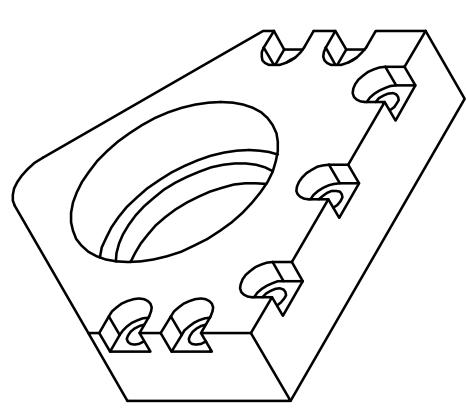


ITEM	QTY.	DESCRIPTION	MATERIAL	NOTE
1	1	56.5 x 53.6 x 12.7 Plate	ALUM 6061	



NOTES:
 1 REMOVE ALL BURRS AND SHARP EDGES

UNLESS OTHERWISE STATED
 ALL DIMENSIONS IN MILLIMETERS

TOLERANCES

X	± 0.500
X.X	± 0.100
X.XX	± 0.050
X.XXX	± 0.010
ANGLE	$\pm 0.30^\circ$

MACHINING FINISH

N7 = 1.6 μ m - 63 μ m

EDGE BREAK

PROJECTION

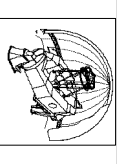
0.3mm x 45°

PROJECT

TCS3 LAB MODEL

TITLE

T Axis Assembly
 Bearing Block #1



NASA INFRARED TELESCOPE FACILITY
 Institute for Astronomy
 University of Hawaii
 2680 Woodlawn Drive
 Honolulu, HI, 96822

REV	LOC	DESCRIPTION	BY	DATE
1		REVIEWED & ISSUED	TB	Dec 11/03

DESIGNER	DRAWN	CHECKED	SCALE	DWG. No.	REV
DME	TB	DME	2:1	2124	1.0

DATE	DATE	DATE	DATE	DATE
Dec 03	Dec 03	Dec 11/03		