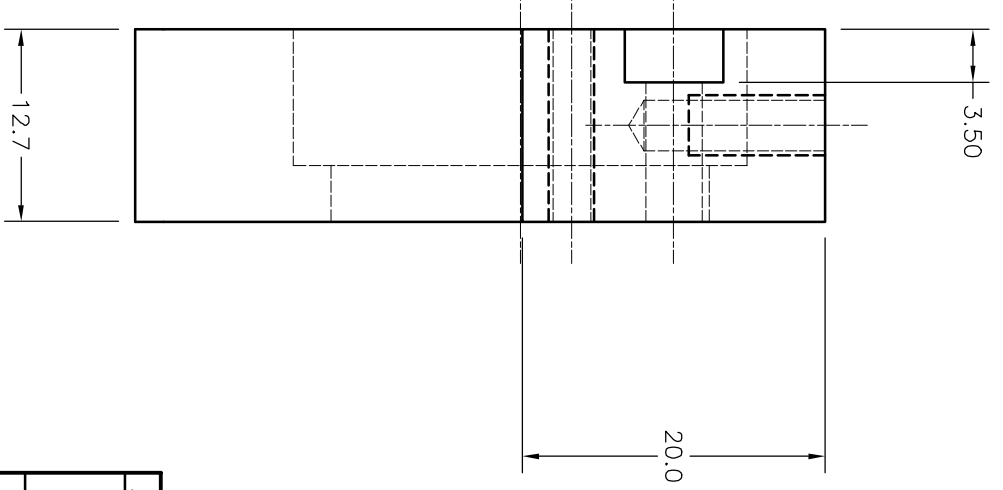
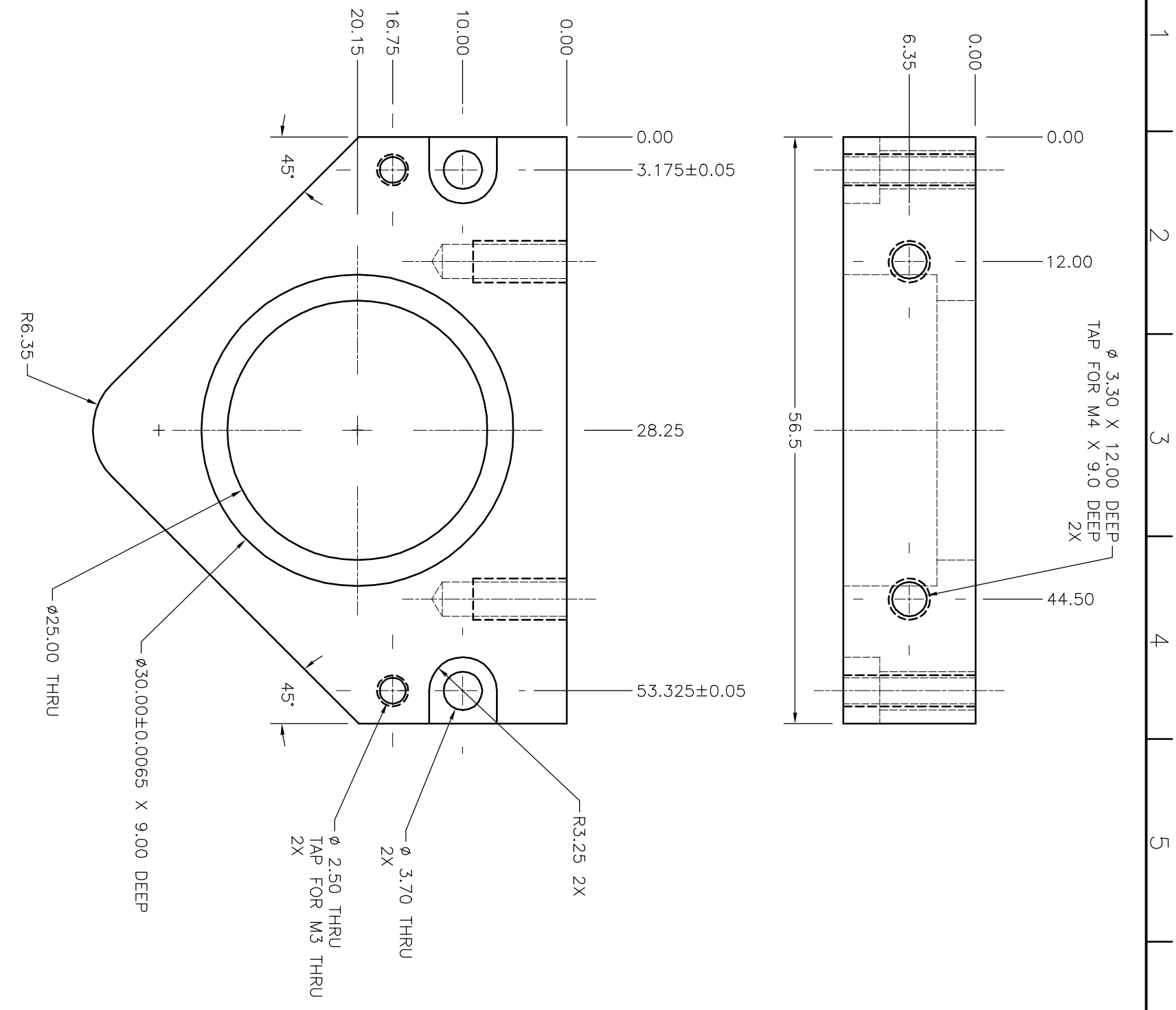
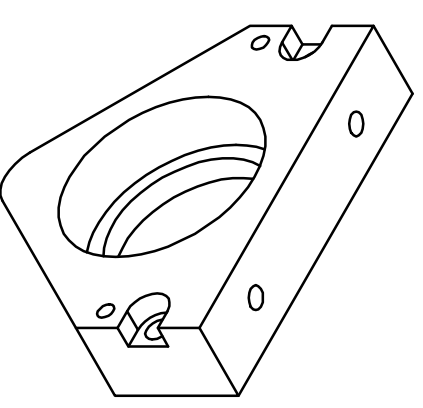


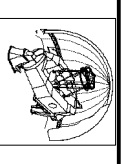
ITEM	QTY.	DESCRIPTION	MATERIAL	NOTE
1	1	56.5 x 48.25 x 12.7 Plate	ALUM 6061	



NOTES:

1 REMOVE ALL BURRS AND SHARP EDGES

UNLESS OTHERWISE STATED ALL DIMENSIONS IN MILLIMETERS	
TOLERANCES	± 0.500
X	± 0.100
X.X	± 0.050
X.XX	± 0.010
X.XXX	± 0.005
ANGLE	± 0.30°
MACHINING FINISH	
N7	1.6µm - 63µm
EDGE BREAK	
0.3mm x 45°	



NASA INFRARED TELESCOPE FACILITY
 Institute for Astronomy
 University of Hawaii
 2680 Woodlawn Drive
 Honolulu, HI, 96822

PROJECT		TITLE	
TCS3 LAB MODEL		T Axis Assembly Bearing Block #2	
DESIGNED TB	DATE	DRAWN TB	DATE
DWE	Dec 03	DWE	Dec 03
CHECKED TB	DATE	SCALE	DWG. No.
DWE	Dec 11/03	2:1	2125
REV	DATE	REV	DATE
1		1.0	

REV	LOC	DESCRIPTION	BY	DATE
1		REVIEWED & ISSUED	TB	Dec 11/03
REVISION				