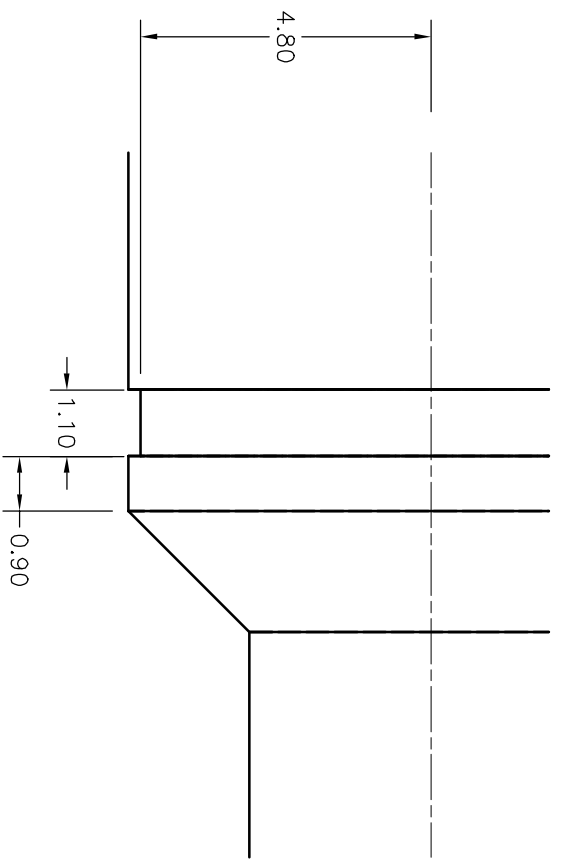
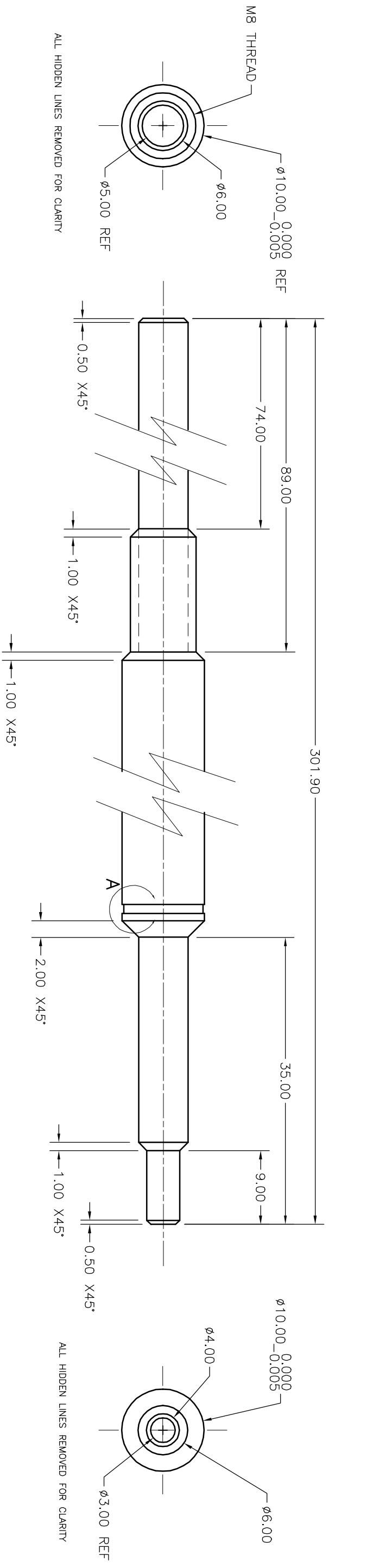


BILL OF MATERIAL				
ITEM	QTY.	DESCRIPTION	MATERIAL	NOTE
1	1	NORDEX: AAS-B9-400	ST. STEEL	



NOTES:
1 REMOVE ALL BURRS AND SHARP EDGES

UNLESS OTHERWISE STATED
ALL DIMENSIONS IN MILLIMETERS

TOLERANCES
X ± 0.500
X.X ± 0.100
X.XX ± 0.050
X.XXX ± 0.010
ANGLE ± 0.30°

MACHINING FINISH
N7 = 1.8µm - 6.3µm
EDGE BREAK
0.3mm x 45°

PROJECT
NASA INFARED TELESCOPE FACILITY
Institute for Astronomy
University of Hawaii
2680 Woodlawn Drive
Honolulu, HI, 96822

REV	LOC	DESCRIPTION	BY	DATE	PROJECTION	DESIGNED TB	DRAWN TB	CHECKED TB	SCALE	DWG. No.	REV
1			TB	Dec 11/03					2:1	2129	1.0
REVISION											

RETAINING RING GROOVE DETAIL
SCALE 8:1