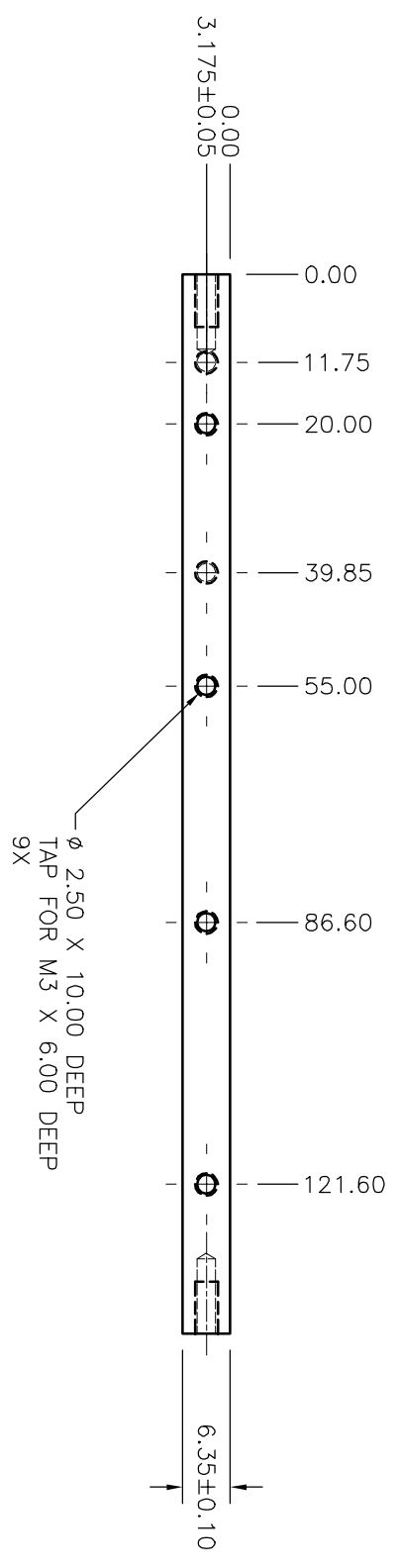
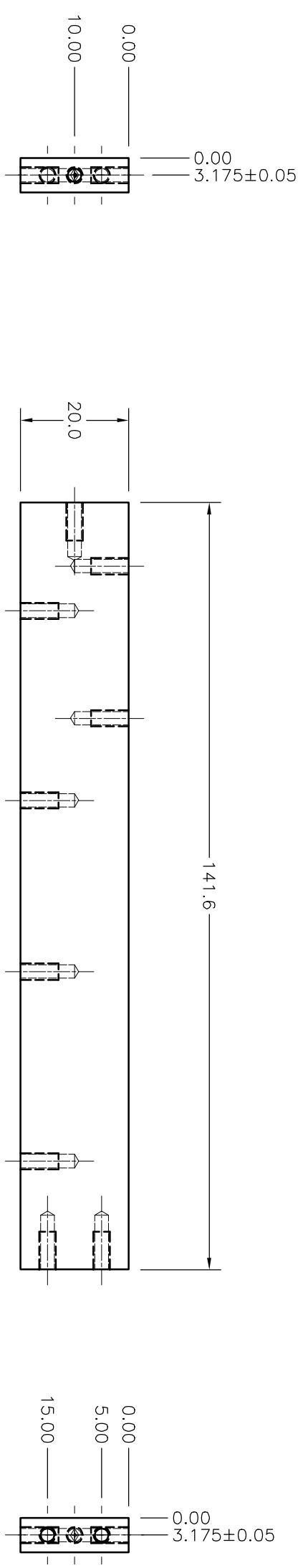


BILL OF MATERIAL			
ITEM	QTY.	DESCRIPTION	MATERIAL
1	1	141.6 x 20.0 x 6.35 Plate	ALUM 6061



NOTES:
1 REMOVE ALL BURRS AND SHARP EDGES

UNLESS OTHERWISE STATED ALL DIMENSIONS IN MILLIMETERS		NASA INFRARED TELESCOPE FACILITY Institute for Astronomy University of Hawaii 2680 Woodlawn Drive Honolulu, HI, 96822	
TOLERANCES	± 0.500 X ± 0.100 X.X ± 0.050 X.XX ± 0.010 X.XXX ± 0.010 X.XXX ± 0.30 ANGLE	PROJECT TCS3 LAB MODEL	
MACHINING FINISH	N7 - 1.8µM - 63µIN	TITLE T Axis Assembly Wall Plate	
EDGE BREAK	0.3mm x 45°	DESIGNED TB DATE Dec 03	DRAWN TB DATE Dec 03
		CHECKED TB DATE Dec 11/03	SCALE 1:1
		DWG. No. 2128	REV 1.0

REV	LOC	DESCRIPTION	BY	DATE
1		REVIEWED & ISSUED	TB	Dec 11/03
REVISION				

