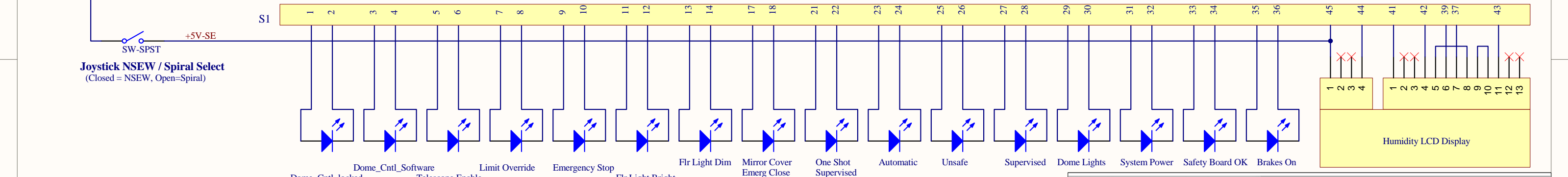
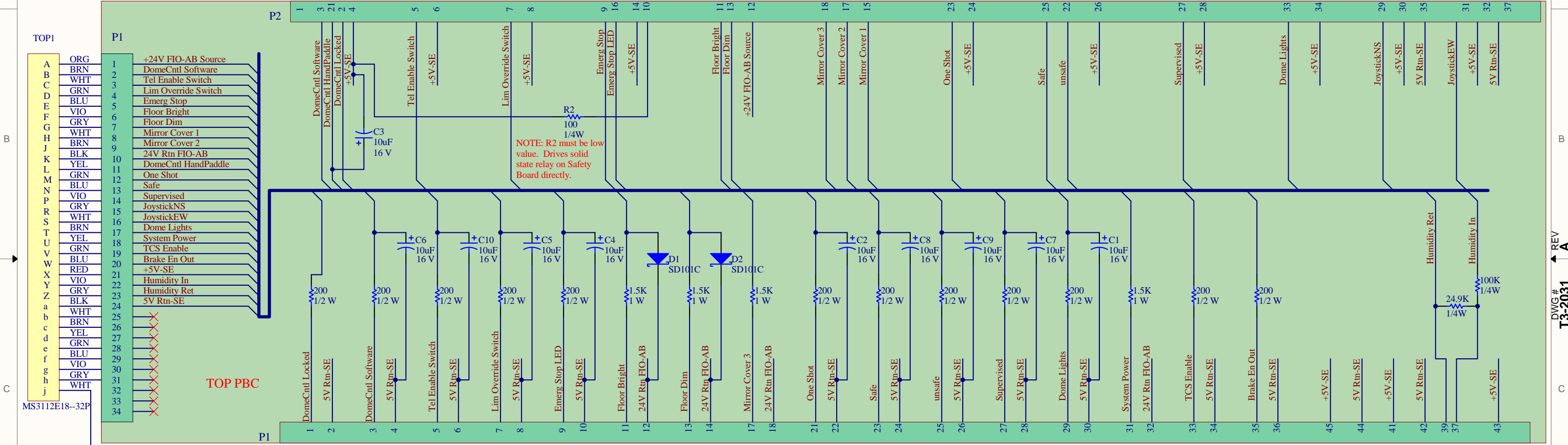
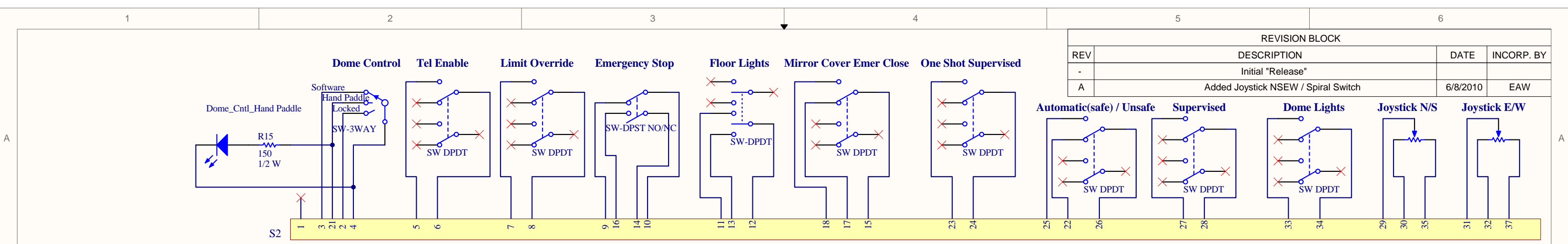


REVISION BLOCK			
REV	DESCRIPTION	DATE	INCORP. BY
-	Initial "Release"		
A	Added Joystick NSEW / Spiral Switch	6/8/2010	EAW



University of Hawaii
Institute for Astronomy

DWG # T3-2031	REV A	TITLE TO Panel PCB IO
ENGINEER	LAST EDIT 6/8/2010 11:23:09 AM	SIZE B
FILE: Y:\public_html\tcs3\Design\T3-2031-TO_PANEL-PCB_IO.SCHDOC		SHEET 1 of 1