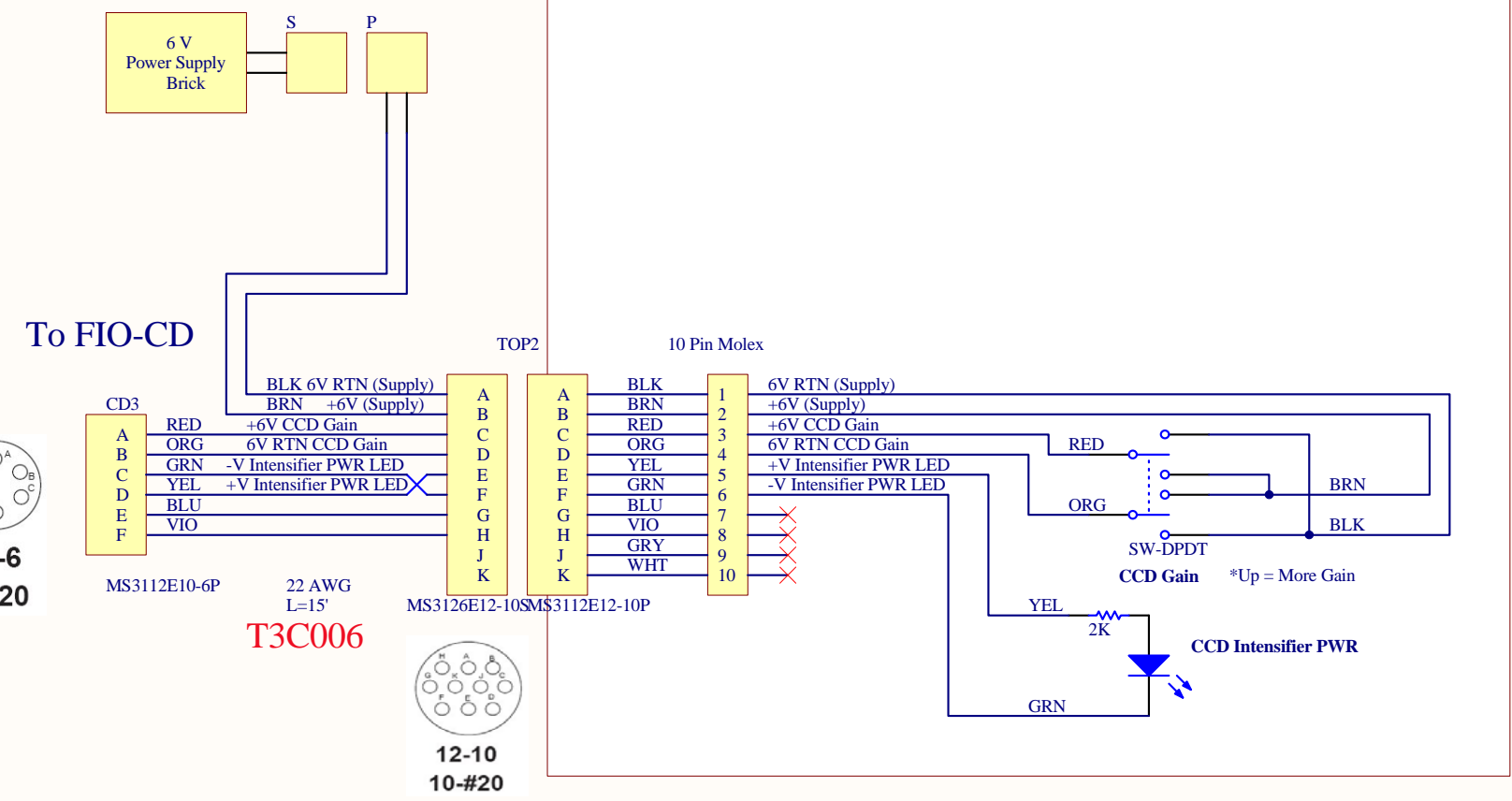
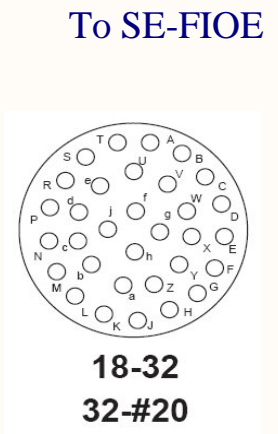
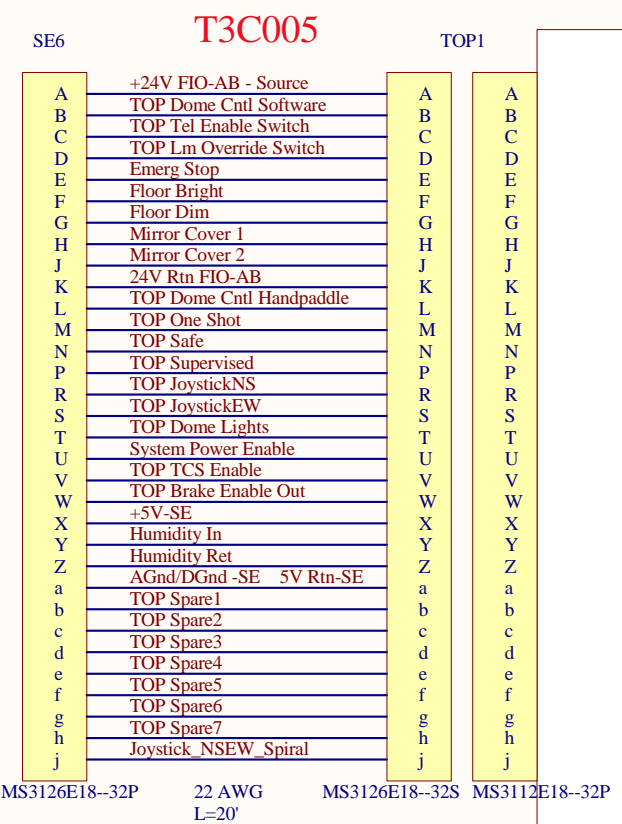


REVISION BLOCK			
REV	DESCRIPTION	DATE	INCORP. BY
-	Initial "Release"		
A	Added Joystick NSEW / Spiral Switch	6/8/2010	EAW

TO Panel



University of Hawaii
Institute for Astronomy

DWG # T3-2032	REV A	TITLE TO Panel - Guider Cables
ENGINEER	LAST EDIT 6/10/2010 11:08:30 AM	SIZE B
FILE: Y:\public_html\tcs3\Design\T3-2032-TO_PANEL-Guider_cables.SCHDOC		SHEET 1 of 1

DWG #
T3-2032

D