
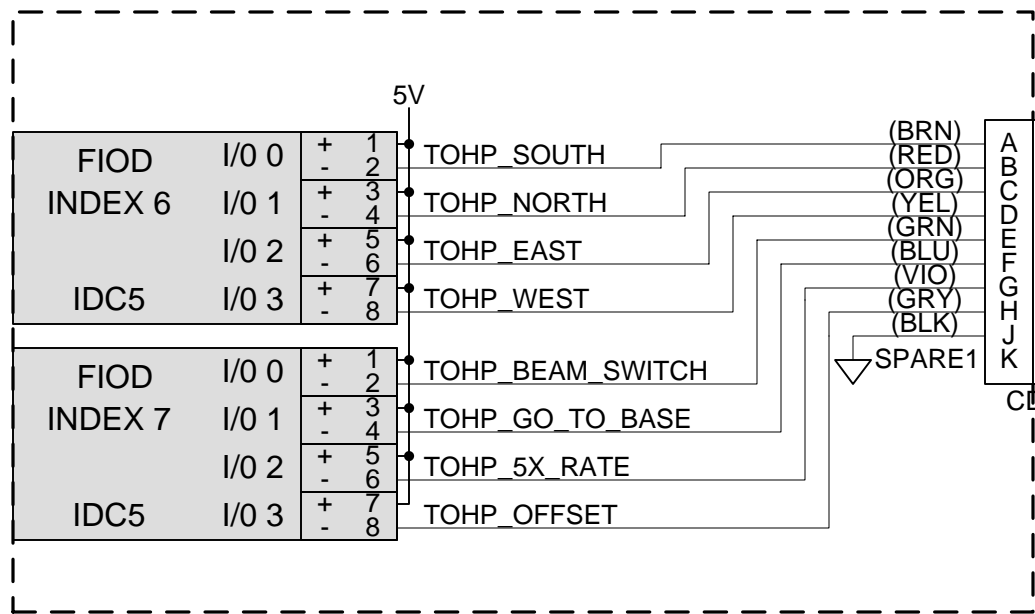




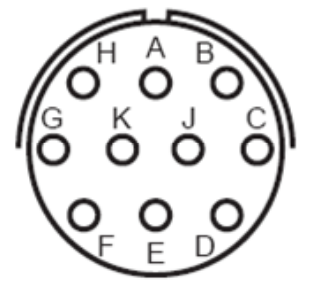
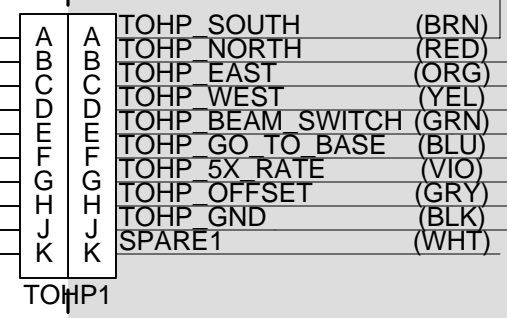
REVISION BLOCK			
REV	DESCRIPTION	DATE	INCORP. BY
-	"Initial Release"	6/08	EAW

			
DWG #	REV	TITLE	
T3-2043	-	Telescope Operator (TO) Hand Paddle & Cable	
ENGINEER E. Warmbier	LAST EDIT 7/7/2008 11:15:00 AM	SIZE <b>B</b>	SHEET 1 of 5
FILE: Y:\public_html\tcs3\Design\T3-2043-TO_Hand_Paddle_&_Cable.vsd			

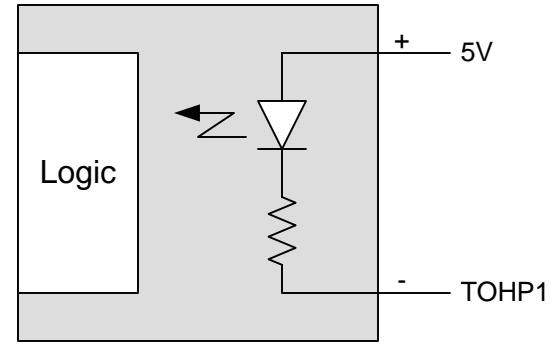
### FIOCD Rack



### T3C025



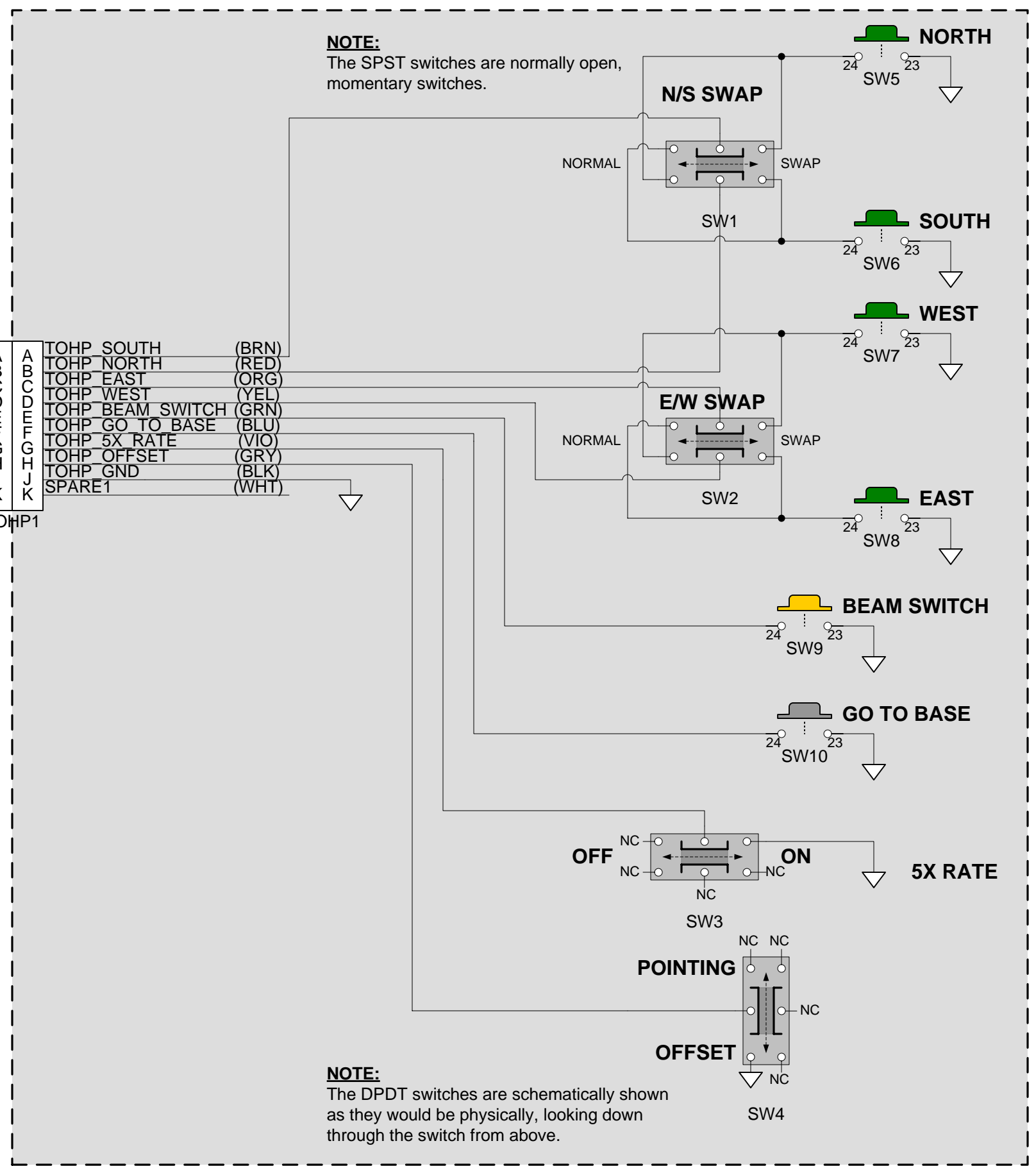
**NOTE:**  
TOHP1 signals will connect to a digital input OPTO22 module. This module has a photo LED for the input with 3kΩ of input impedance nominally. Schematically, the input can be represented as:



OPTO22 Digital Input Module

A switch closure completes a current path, causing the LED to emit light, which is "ON". This represents a logic "1" in the OPTO22 module. So, software should detect "1"s and act accordingly. All signal names were chosen such that a "1" in the OPTO22 indicates that the signal is true. For example, Offset=1 indicates that offset is selected.

**NOTE:**  
The SPST switches are normally open, momentary switches.



**NOTE:**  
The DPDT switches are schematically shown as they would be physically, looking down through the switch from above.

### TO Hand Paddle

DWG #	REV	SIZE	SHEET
T3-2043	-	B	2 of 5

**TO HAND PADDLE PARTS LIST**

FIND #	QTY	Part #	Description	Ref Des	Comment
1	1	04101606	Enclosure	-	Made by Gehäuse Systeme
2	4	807503-200	Switch, momentary, green	SW5-8	
3	1	807505-700	Switch, momentary, gold	SW9	
4	1	807605-000	Switch, momentary, Stainless	SW10	
5	4	S802C21S207Q	Switch, DPDT, Slide	SW1-4	
6	1	MS3112E12-10P	Connector, Mil-spec, 10pin, round	TOHP1	
7	AR	-	Wire, general, 24 AWG	-	

**Metal Switches — TH8 Series**

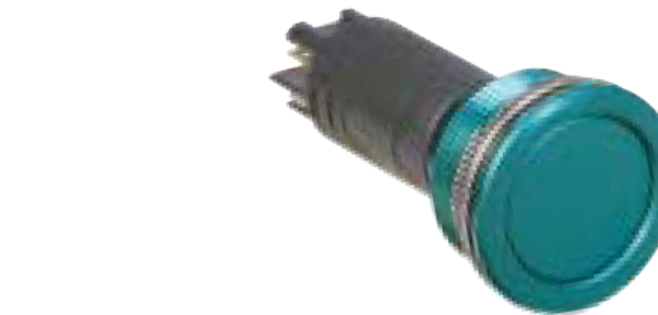
The TH8 metal switch in stainless steel or anodized aluminum (various colors) mounts in a 22.5 mm round panel cutout.

- ▶ Anodized Aluminum or Stainless Steel Housing
- ▶ Various Housing Colors Available
- ▶ Mounts in 22.5 mm Round Panel Cut-Out

- ▶ 230 VAC, 6 A
- ▶ Gold-Plated Contacts

Stock No.*	Mfr.'s Type	Description	EACH	
			1-14	15-24
804-514X	807503 X00	1 NO + 1 NC, mom., flush mount, IP67	33.20	32.12
804-515X	807504 X00	2 NC, mom., flush mount, IP67	27.23	26.36
804-516X	807505 X00	2 NO, mom., flush mount, IP67	27.50	26.62
804-5170	807603 000	1 NO + 1 NC, mom., flush mount, stainless steel, IP67	27.50	26.62
804-5171	807604 000	2 NC, mom., flush mount, stainless steel, IP67	27.23	26.36
804-5172	807605 000	2 NO, mom., flush mount, stainless steel, IP67	27.23	26.36
804-5174	808604 000	2 NC, mom., raised stainless steel, IP65	27.23	26.36
804-5175	808605 000	2 NO, mom., raised stainless steel, IP65	27.50	26.62

\*Replace X in Stock No. and Mfr.'s Type for corresponding color code for caps: 0 — neutral, 1 — yellow, 2 — green, 3 — light blue, 4 — red, 5 — black, 7 — gold, 8 — dark blue.

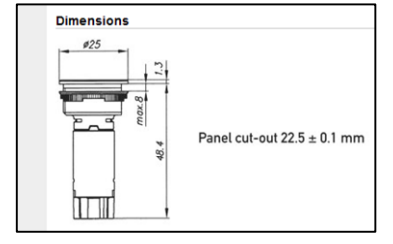
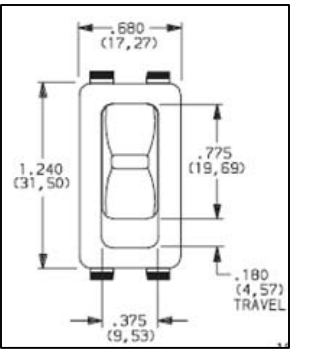
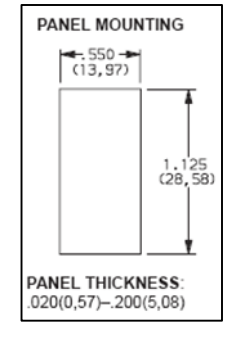
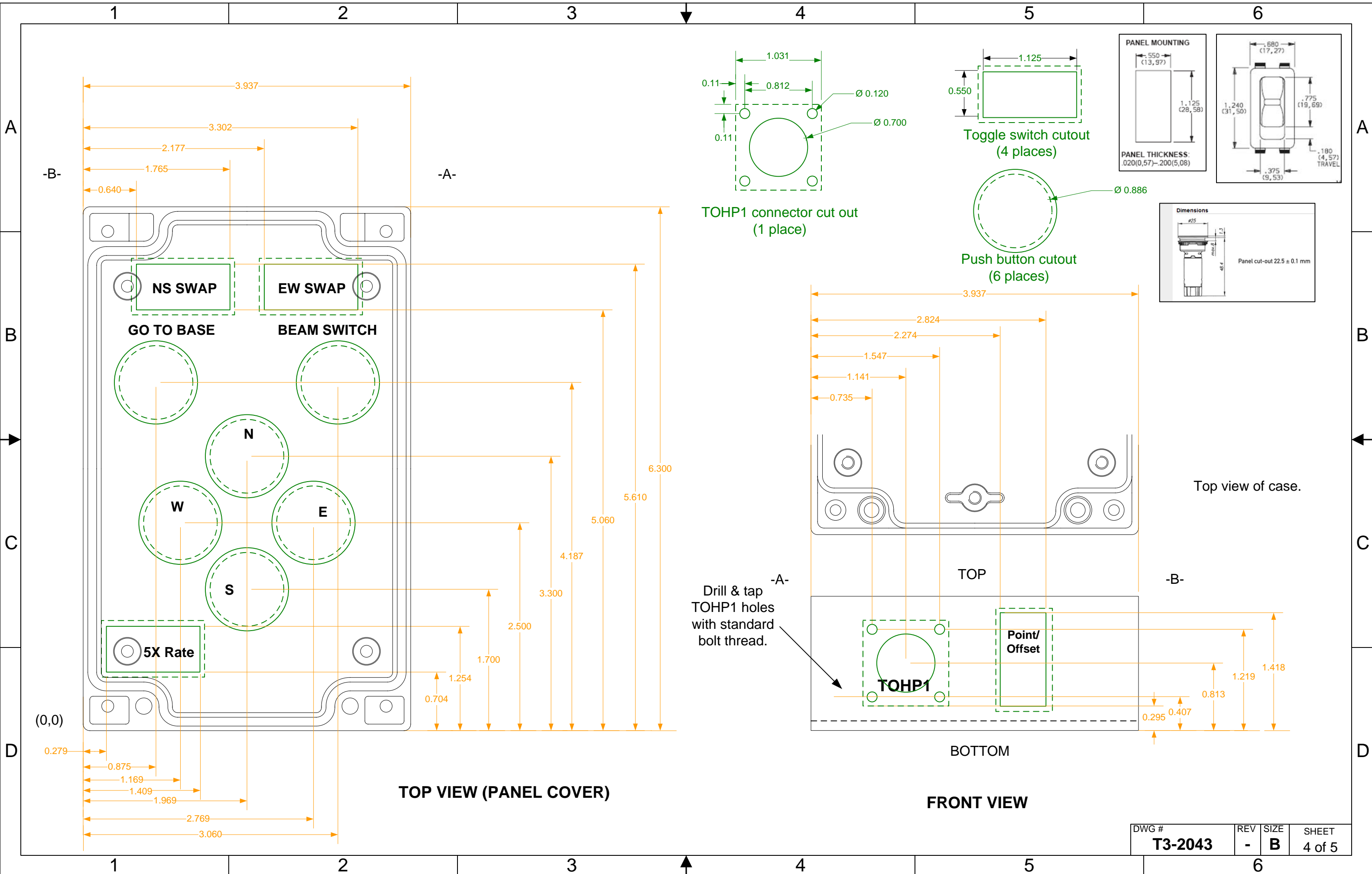


807504 X00

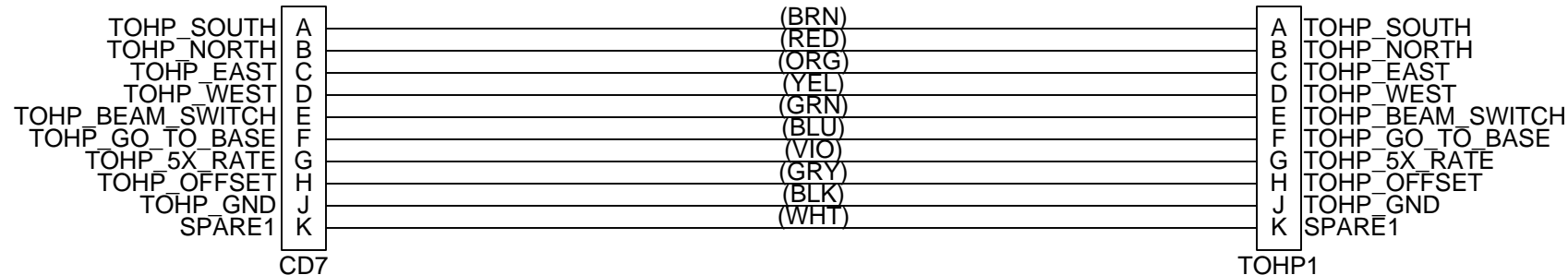
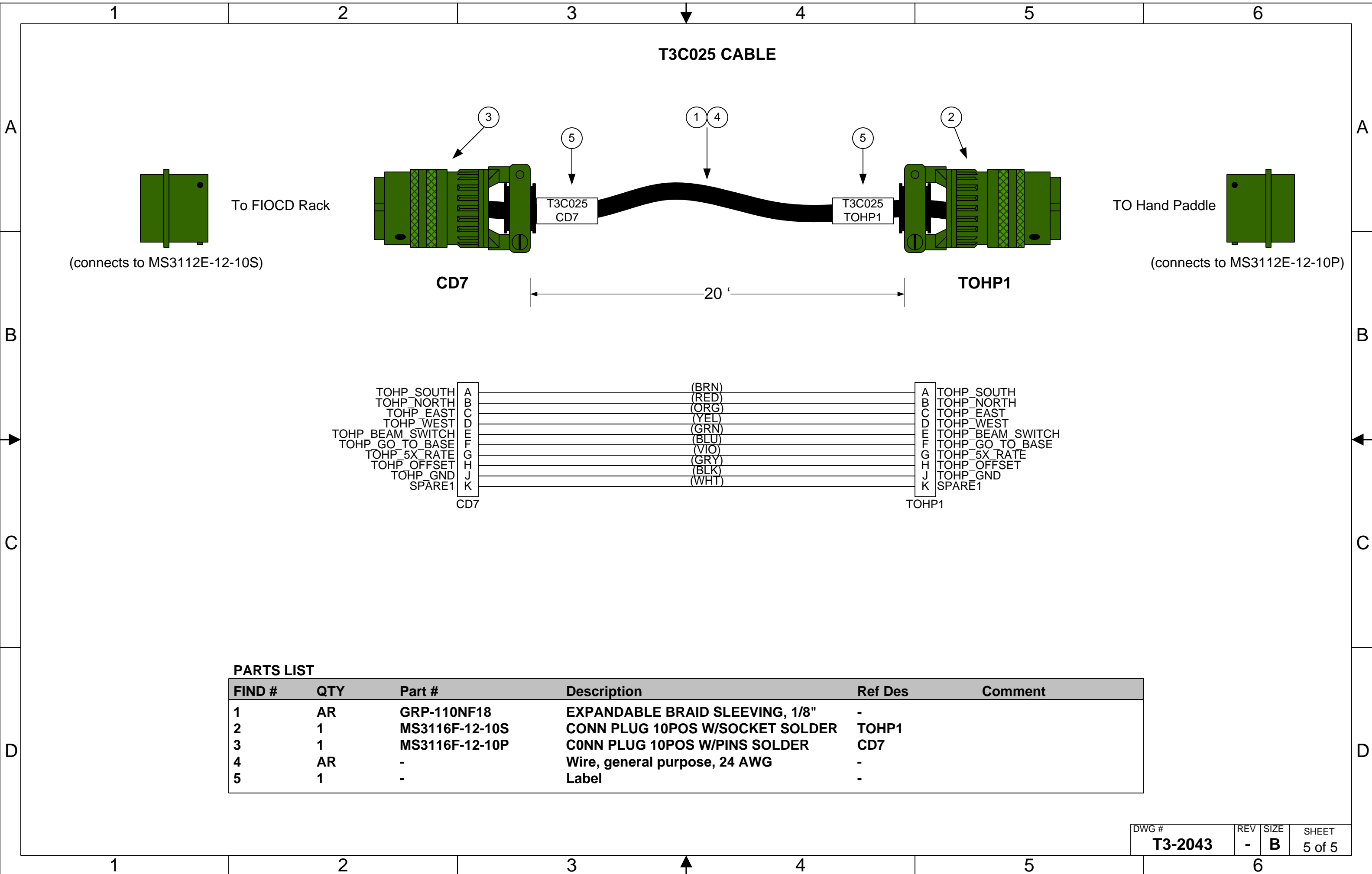


807504 X00

NOTE: Due to limited availability, it is worth noting that the 807503, 807505, 807605 switches are interchangeable for the TO Hand Paddle design.



DWG #	REV	SIZE	SHEET
<b>T3-2043</b>	-	<b>B</b>	4 of 5



**PARTS LIST**

FIND #	QTY	Part #	Description	Ref Des	Comment
1	AR	GRP-110NF18	EXPANDABLE BRAID SLEEVING, 1/8"	-	
2	1	MS3116F-12-10S	CONN PLUG 10POS W/SOCKET SOLDER	TOHP1	
3	1	MS3116F-12-10P	CONN PLUG 10POS W/PINS SOLDER	CD7	
4	AR	-	Wire, general purpose, 24 AWG	-	
5	1	-	Label	-	