

T3C009 - Cable

* Hardwired to components 22 AWG

Sense signals only used when connected to Fio-AB not SE-FIO-E

FIO-AB (TCS 1)
Ref: T3-2010

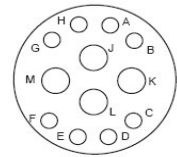
Or
SE - FIO-E (TCS 3)
Ref: T3-2060

AB1 / SE7
A
B
C
D
E
F
G
H
J
K
L
M

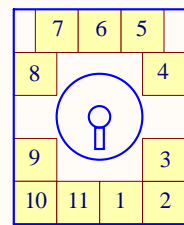
PTO2E-14-12S

AB1 / SE7
A
B
C
D
E
F
G
H
J
K
L
M

PTO6E-14-12P(SR)



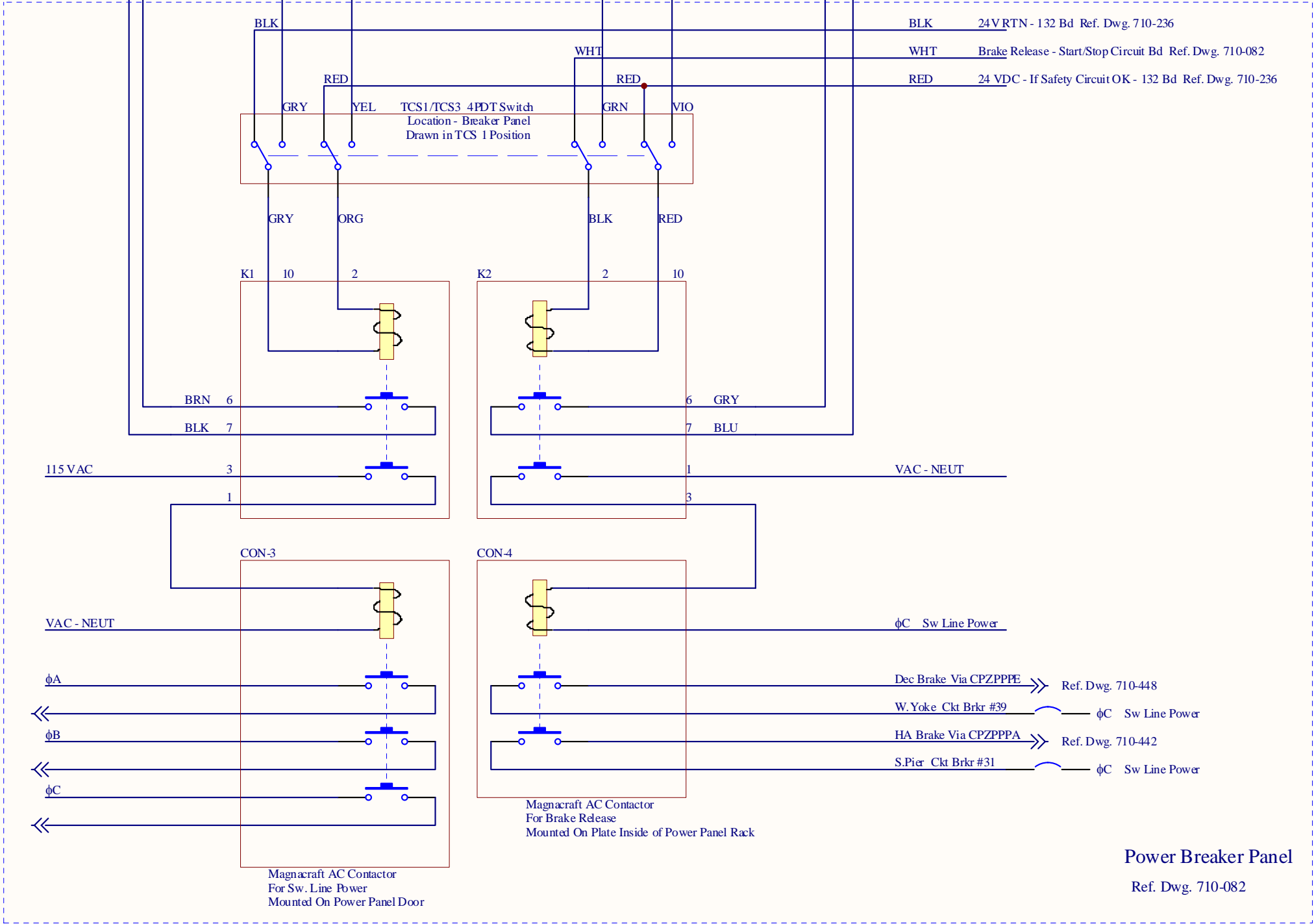
14-12
4-#16, 8-#20



K RELAY SOCKET PINOUT

Notes:
Relay K1 energizes Sw. Line Power Contactor.
Relay K2 energizes Brake Release Contactor.

BLU	HA Dec Brake Sense	VIO
GRY	24V Rtn	GRN
BRN	System Power Sense	YEL
BLK	24V Rtn	GRY
VIO	Brake Enable Relay	
GRN	Brake Enable Relay Rtn	
YEL	System Power Enable	
GRY	System Power Enable Rtn	



Power Breaker Panel
Ref. Dwg. 710-082

Title T3-2209-T3C0009_Cable.SchDoc		
Size B	Number	Revision
Date: 4/25/2008	Sheet of	
File: H:\Documents and Settings\...\T3-2209-T3C0009_Cable.SchDoc		