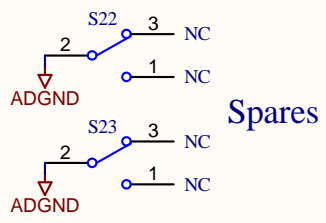
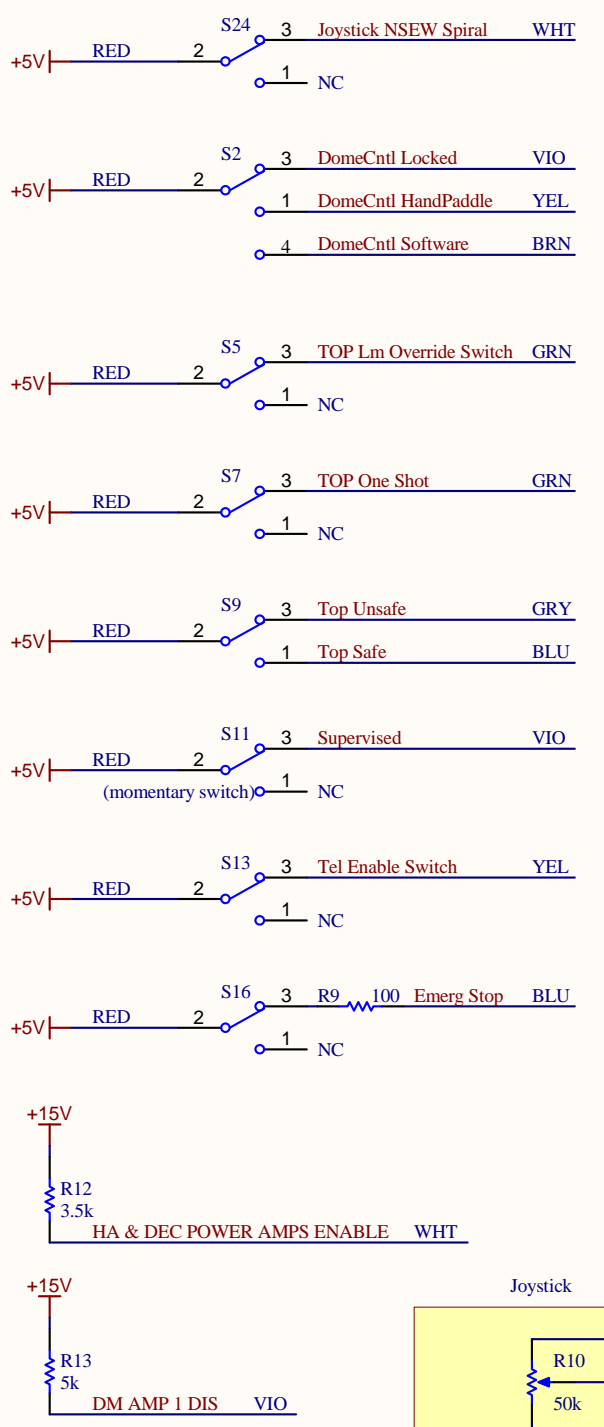
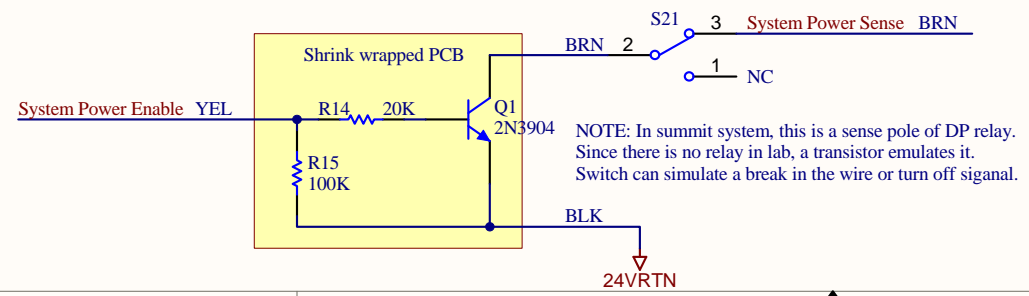
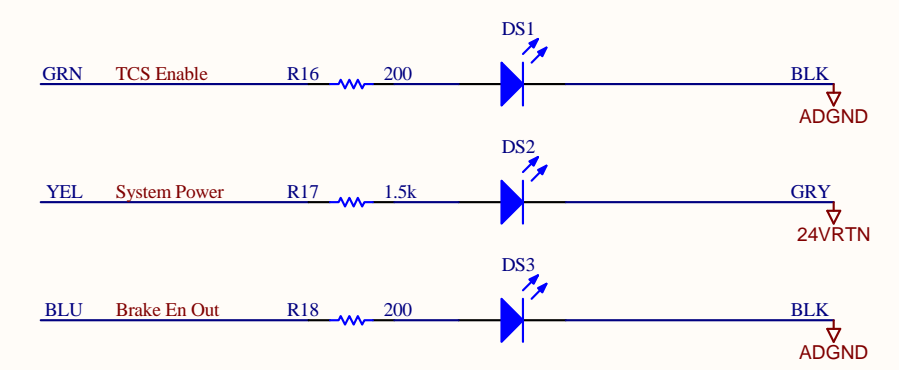


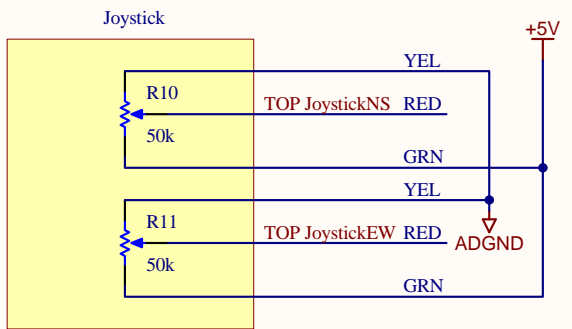
NOTE: In summit system, this is one side of relay coil. Since there is no relay in lab, it is used to loop back signal. Switch can simulate a break in the wire or turn off signal.



REVISION BLOCK			
REV	DESCRIPTION	DATE	INCORP. BY
-	"Initial Release"	7/16/09	EAW
A	Added Joystick NSEW Spiral Switch	6/22/10	EAW



DomeCntl Locked	VIO	1
TOP Lm Override Switch	GRN	2
DomeCntl HandPaddle	YEL	3
Tel Enable Switch	YEL	4
DomeCntl Software	BRN	5
Top Safe	BLU	6
Emerg Stop	BLU	7
Top Unsafe	GRY	8
Joystick NSEW Spiral	WHT	9
TOP One Shot	GRN	10
Supervised	VIO	11
TOP JoystickNS	RED	12
TOP JoystickEW	RED	13
+5V	RED (and GRN)	14
System Power Sense	BRN	15
TCS Enable	GRN	16
System Power Enable	YEL	17
Brake En Out	BLU	18
DM BRK RELAY+	GRY	19
DM BRK RELAY-	BLK	20
DM AMP 1 DIS	VIO	21
DM AMP 1 DIS GND	GRY	22
HA & DEC POWER AMPS ENABLE	WHT	23
Horizon Stop Limit	GRY	24
HA & DEC POWER AMPS ENABLE RTN	YEL	25
HP Stop	VIO	26
+15V	ORG	27
-15V	YEL	28
Dome Drive Mot 1 Cur	BLU	29
Dec Stop Limit N	VIO	30
Dome Drive Mot 2 Cur	YEL	31
Dec Emerg Stop Limit N	BLU	32
Dome Drive Mot 3 Cur	ORG	33
Dec Stop Limit S	GRN	34
Dec Emerg Stop Limit S	YEL	35
E Drive Mot Cur	ORG	36
HA Stop Limit E	BRN	37
W Drive Mot Cur	BLU	38
HA Emerg Stop Limit E	GRN	39
N Drive Mot Cur	ORG	40
HA Stop Limit W	YEL	41
S Drive Mot Cur	BLU	42
HA Emerg Stop Limit W	BLU	43



University of Hawaii  
Institute for Astronomy

DWG #	REV	TITLE	LAST EDIT	SIZE	SHEET
T3-2310	A	Lab System TO Panel	6/22/2010 1:28:20 PM	B	1 of 1
ENGINEER E. Warmbier			FILE: Y:\public_html\tcs3\Design\T3-2310_Lab_System_TO_Panel.SchDoc		