

Schematic Reference	
FIOAB	T3-2010-FIOAB
SE_FIOE	T3-2060-SE_FIOE
TO_Panel	T3-2031-TO_Panel

Schematic Reference	
T3C004	T3-2212
T3C005	T3-2032

Schematic Reference	
FIOF	T3-2080-FIO_F
T3C008	T3-2212_SE_Cables
Dome Floor inc light system	710-083 Sheet 2

TI Computer

TCS3 GUI MCC1 display the dome/shutter control. Operator can use the UP/DOWN buttons to control the Output on FIOF.

The input from FIO F is displayed in the dome sideview display. The Green color indicated IO is ON. See UpLm, Touch, DnLm labels.

FIO_F

FIOF Index 0	I/O Bit 0	+	1	Upper_Shutter_Up
	I/O Bit 1	-	2	Lower_Shutter_Dn
	I/O Bit 2	+	4	Shutters_Touch
	I/O Bit 3	-	5	Crane_Not_Stowed
SNAP - IDCSD Digital Input 2.5V - 28VDC				
FIOF Index 1	I/O Bit 0	+	1	Lower_Shutter_Cmd_Open
	I/O Bit 1	+	3	Lower_Shutter_Cmd_Close
	I/O Bit 2	-	4	Upper_Shutter_Cmd_Open
	I/O Bit 3	-	5	Upper_Shutter_Cmd_Close
SNAP-ODC-5R Digital Output N.O. Output 5VDC				
FIOF Index 2	I/O Bit 0	+	1	channel not functional
	I/O Bit 1	-	2	channel not functional
	I/O Bit 2	+	3	Dome_Lights
	I/O Bit 3	-	4	
SNAP-ODC-5R Digital Output N.O. Output 5VDC				

FIO F wire to Dome Shutter electronics and Dome Light electronics

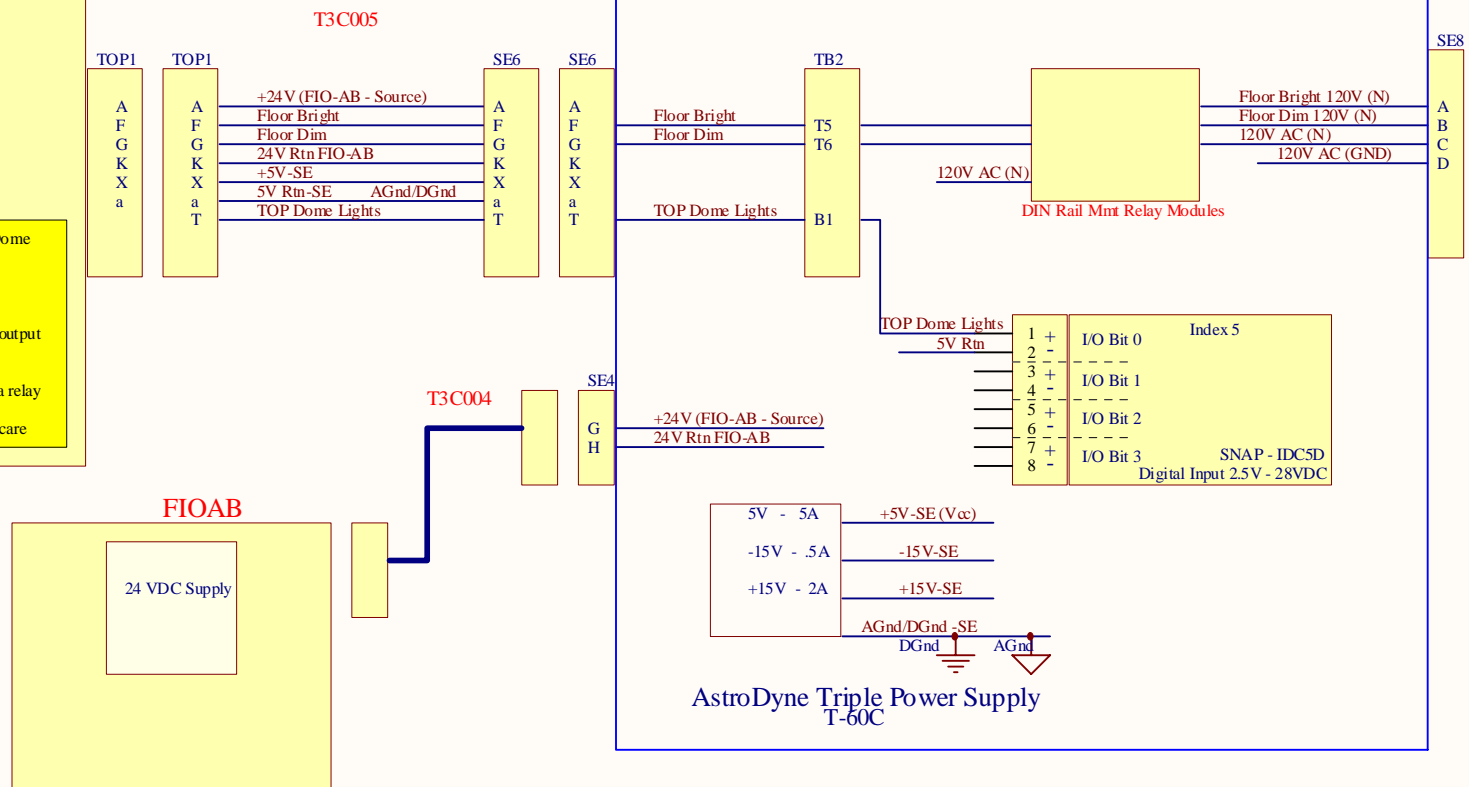
Ref: T3-2080-FIO_F

TO Panel

The TO Panel contains the controls for Floor and Dome Lights

Dome light switch is detected by the Opto22 FIOD Module5. The computer reads this input, and commands the output on FIOF (Dome Lights).

The Floor Light are hardwired. The switch drives a relay located inside FIOE-SE. The relay control the lights, with care



T3C008 - SE8-DOME_IND_LIGHTS

Ref: T3-2212_SE_Cables

To Dome Floor incandescent light System

Ref: 710-083 Sheet 2

Title			T3-3050-Shutter_Cnt1-Dome_Lights.SCHDOC		
Size	Number	Revision			
B					
Date:	6/26/2008	Sheet	of		
File:	H:\Documents and Settings\... (T3-3050-Shutter_Cnt1-Dome_Lights.SCHDOC)	1	1		