

0 = Zenith for HA and Dec

The MCC2 provides the GUI Widgets to control the mirror support.

- 1) The air pressure is display as volts. At zenith the nominal voltage from the pressure gauge is 3.93 vdc.
- 2) The OK/Fault indicated.
- 3) Mirror Support OFF/ON toggle is used to command the mirror support OFF or ON.
- 4) Fault Acknowledge button. (to clear the OK/Fault indicator).

The Mirror.Support OFF/ON toggle executes the Mirror.Support command.

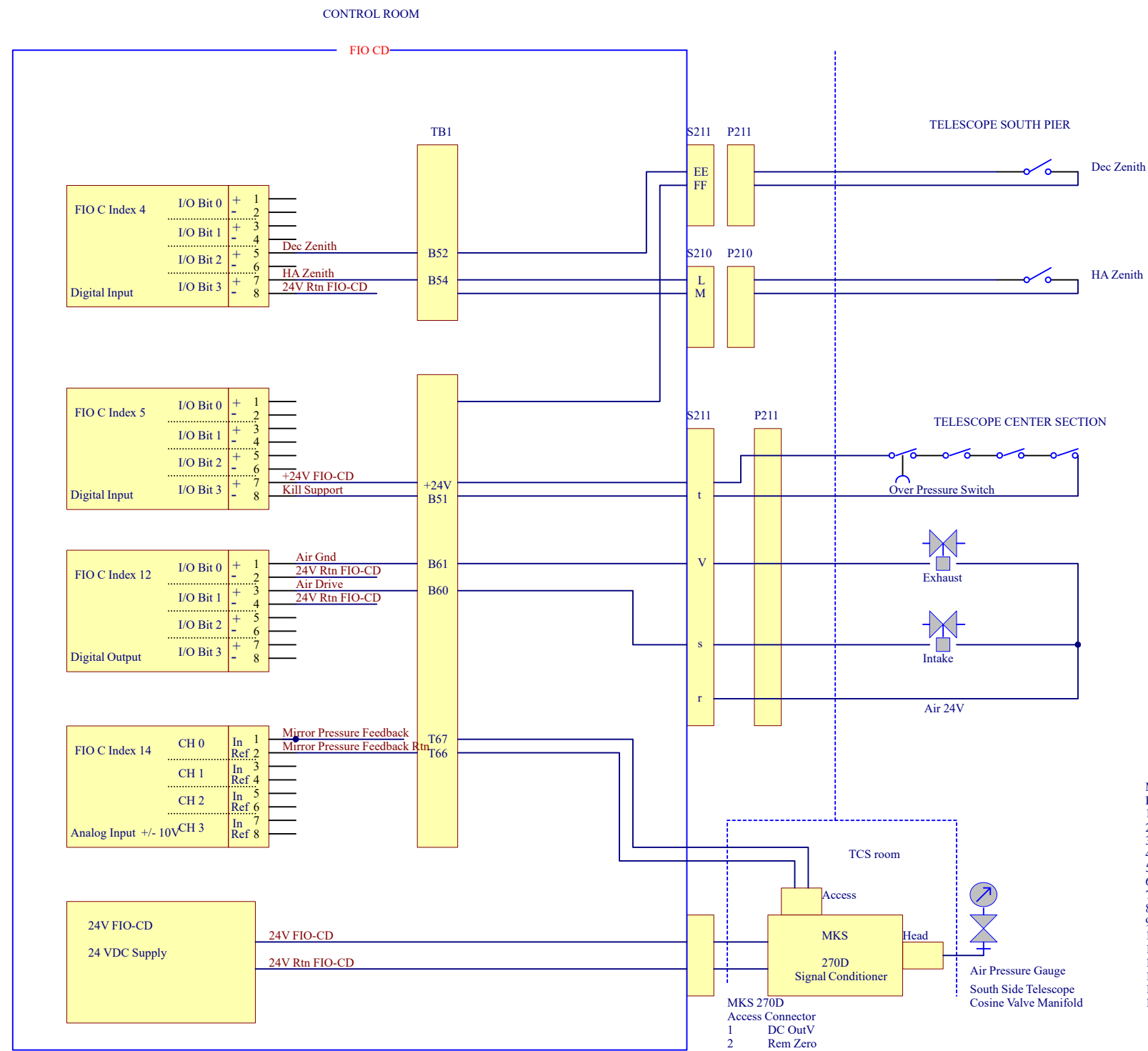
For ON,
FIOC_DO_Air_Support_Drive is set to 1
FIOC_DO_Air_Support_Gnd is set to 0

For OFF,
FIOC_DO_Air_Support_Drive is set to 0
FIOC_DO_Air_Support_Gnd is set to 1

If the FIOC_DO_Kill_Support input becomes 0, this indicates a hardware error. The OK/Fault indicator will display Fault (RED) and turn air support OFF.

Observatory personnel needs to clear the fault (bringing Kill_Support to 1), AND click the Fault Acknowledge button on the GUI to clear the Fault. Once cleared the mirror support can be turned on.

Mirror support control is perform by the fio_c software program, a child process of of TCS3 main.



MKS 270D Head Connector

1	Chassis GND
2	Analog Comm
3	Heater Rtn
4	Mux Input
5	NC
6	Signal Ret
7	Signal Input
8	+ Heater
9	-13V
10	+13V
11	NC
12	NC
13	Preamp
14	System Check
15	Oscillator

MKS 270D Access Connector

1	DC OutV
2	Rem Zero
3	Dig Comm
4	x1 Range ID
5	x0.1Range ID
6	x0.01 Range ID
7	+5V
8	DC Out Ret
9	NC
10	Good Data
11	+13V
12	GND
13	-13V
14	Chassis GND

Title		
T3-3100-MIRROR_SUPPORT_OVERVIEW_2.SCHDOC		
Size	Number	Revision
B		
Date:	4/13/2018	Sheet of
File:	C:\Users\T3-3100-MIRROR_SUPPORT_OVERVIEW_2.SCHDOC	