

Appendix V Parker Hannifin Dome Drive Pivot Actuator

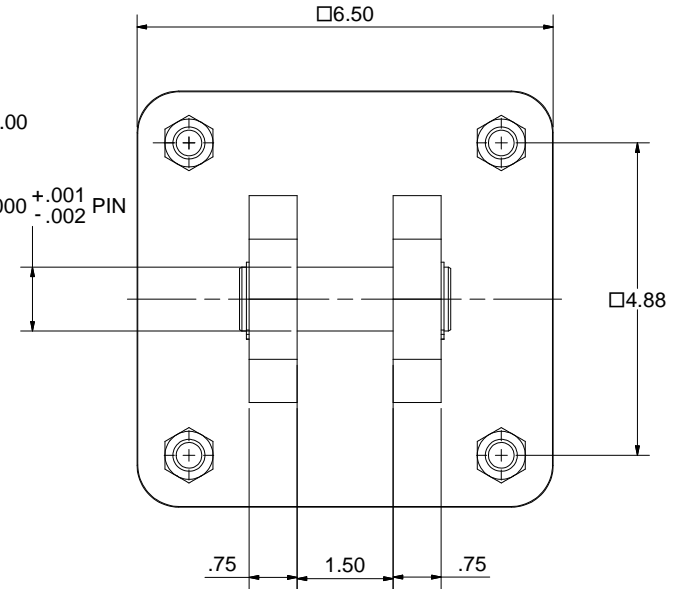
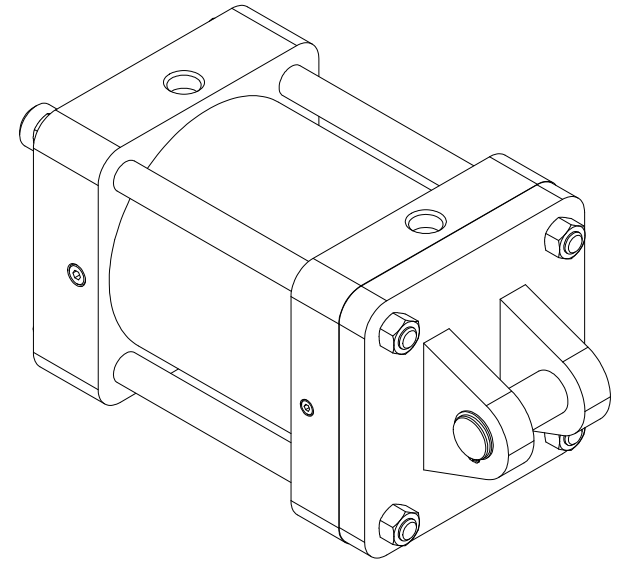
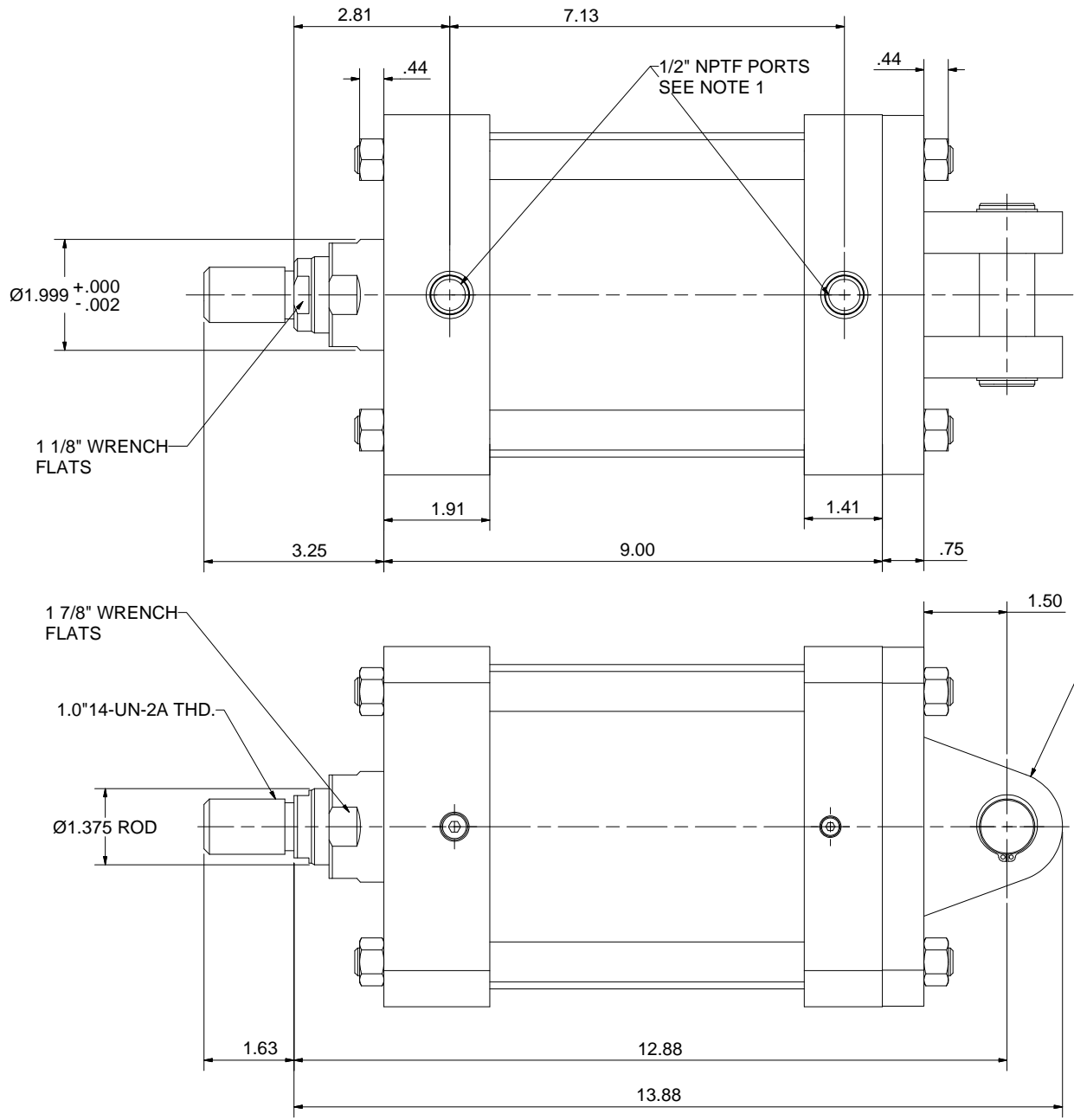
Parker Hannifin eConfigurator™

Fri Apr 09 2010 11:49:43 GMT-1000 (Hawaiian Standard Time)

Model Number: **6.00CBC4MA3U14AC6.00****eConfigured Product Summary**

Bore Size	6.00
Cushion - Head End	Yes
Mounting Style	BC - Cap Detachable Clevis - MP2
Series.	4MA - Air Service
Piston Type	3 - Lipseals, Magnetic Ring, Aluminum Piston
Ports Type	U - NPTF
Seals	" " - Standard (Nitrile Seals)
Rod Code.	Code 1 (1.375 Diameter)
Thread Style	4 - Small Male
Rod Material & Gland Code	" " - Standard Rod and Gland
Rod Thread	A - Unified Thread
Cushion - Cap End.	Yes
Stroke	6.00

Appendix V Parker Hannifin Dome Drive Pivot Actuator



STANDARD ENVELOPE PRESSURE
250 P.S.I.

NOTES:
1. S= 1/2" NPTF UNDERSIZE PORTS B/E

SERIES	4MA	CYLINDER
STYLE	BC MOUNTING	
BORE SIZE:	6.00"	HEAD CAP
ROD DIA.:	1 3/8	PORTS AT POSITION:
THREAD STYLE:	4	NEEDLE VALVE AT POSITION:
CUSHION:	B/E	CHECK VALVE AT POSITION:
STROKE:	4.00"	

THIS DOCUMENT CONTAINS INFORMATION THAT IS CONFIDENTIAL AND PROPRIETARY TO PARKER HANNIFIN CORPORATION. THIS DOCUMENT IS FURNISHED ON THE UNDERSTANDING THAT THE DOCUMENT AND THE INFORMATION IT CONTAINS WILL NOT BE COPIED OR DISCLOSED TO OTHERS EXCEPT BY THE WRITTEN CONSENT OF PARKER HANNIFIN. WILL NOT BE USED FOR ANY PURPOSE OTHER THAN CONDUCTING BUSINESS WITH PARKER HANNIFIN AND WILL BE RETURNED AND ALL FURTHER USE DISCONTINUED UPON REQUEST BY PARKER HANNIFIN.

UNLESS OTHERWISE SPECIFIED TOLS. AND FINISHES PER ES-008 GEOMETRIC TOLS. PER CURRENT ASME Y14.5M STANDARD.

© COPYRIGHT PARKER. ALL RIGHTS RESERVED. YEAR OF COPYRIGHT IS FIRST YEAR INDICATED ON THIS DOCUMENT.

REV.	E.C.NO.	DATE	MATERIAL
1	RELEASED	04/13/10	HEAT TREATMENT
SCALE	DATE	DRAWN BY	CHK BY
FULL	04/13/10	WJK	WJK
		APPD. BY	MDR

Parker	PNEUMATIC DIV.
	RICHLAND, MICH. 49083
PNEUMATIC CYLINDER MODEL:	
6.0" CBC4MA3U14AC4.00"	
6.0" BORE/ 1.375" ROD	
SERIES 4MA	

PART NO.	REV.
DRAWING NO.	SKC170441
1/2	

Autodesk Inventor

Appendix V Parker Hannifin Dome Drive Pivot Actuator

Subject: 6.00CBB4MA3U14AC6.00 - call #601175

From: kgarton@parker.com

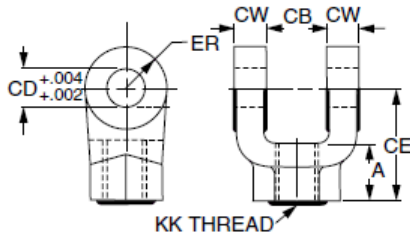
Date: Fri, 26 Mar 2010 15:16:10 -0400

To: bauman@cfht.hawaii.edu

Hi Steve,

Please see the attached print for your 4MA cylinder. I have also included the dimensional information for the 1458030100, per your request.

Female Rod Clevis



Symbol	1458030044	1458030050	1458030075	1458030088	1458030100	1458030125	1458030150
A	3/4	3/4	1 1/8	1 5/8	1 5/8	2	2 1/4
CB	3/4	3/4	1 1/4	1 1/2	1 1/2	2	2 1/2
CD	1/2	1/2	3/4	1	1	1 3/8	1 3/4
C E	1 1/2	1 1/2	2 1/8	2 15/16	2 15/16	3 3/4	4 1/2
CW	1/2	1/2	5/8	3/4	3/4	1	1 1/4
ER	1/2	1/2	3/4	1	1	1 3/8	1 3/4
KK	7/16-20	1/2-20	3/4-16	7/8-14	1-14	1 1/4-12	1 1/2-12
Load Capacity (lbs)	4250	4900	11200	18800	19500	33500	45600

Thanks,
Kelly

Kelly M. Garton

Application Engineering Supervisor

Parker Hannifin Pneumatic Division
Wadsworth, Ohio

Phone: (330) 336-3511 x2124

Fax: (330) 334-3335

Email: kgarton@parker.com



ENGINEERING YOUR SUCCESS.

Parker product recommendations are based on Parker-known application requirements and product technical data. They are offered for further consideration only. The user is responsible for testing and verifying that the product is suitable for the application. PLEASE NOTE: The preceding information may be confidential or privileged. It only should be used or disseminated for the purpose of conducting business with Parker. If you are not an intended recipient, please notify the sender by replying to this message and then delete the information from your system. Thank you for your cooperation.

SKC170433.pdf

Content-Type: application/octet-stream
Content-Encoding: base64

Appendix V Parker Hannifin Dome Drive Pivot Actuator

Kaman Industrial Technologies

EMAILED



Q U O T A T I O N

PAGE 1 OF 1 NUMBER I349468

FROM NUMBER I349468
 3269 KOAPAKA STREET
 HONOLULU, OAHU HI 96819

T
O

CANADA-FRANCE-HAWAII
 65-1238 MAMALAHOA HWY
 KAMUELA HI 96743

SHIP TO

CANADA-FRANCE-HAWAII
 TELESCOPE CORPORATION
 65-1238 MAMALAHOA HWY
 KAMUELA HI 96743

ATTN: Steven Bauman

ACCOUNT NO.	SALESMAN	SHIP VIA	SHIP DATE	TAX	BRANCH NO.	PO / TAG ORDER NUMBER		
Z23441	H16	SEE BELOW	15-APR-10	NYYY	00851			
SEQ.	ITEM DESCRIPTION		ORDERED	BACK ORDERED	SHIPPED	U/M	PRICE	EXTENSION
	***** QUOTE **** QUOTE ** QUOTE ** QUOTE ** QUOTE **** QUOTE ***** ***** QUOTE **** QUOTE ** QUOTE ** QUOTE ** QUOTE **** QUOTE *****							
1	SHR 1458030100_ROD CLEVIS, 1 - 14 1458030100		4	0	0	EA	50.950	203.80
2	SHR 0683700000_PIVOT PIN ASSY 1" 0683700000		4	0	0	EA	21.850	87.40
3	SHR 6.00CBC4MA3U14AC6.00_CYLINDER, PNEUMATIC 0		4	0	0	EA	632.670	2,530.68
FOB FACTORY, ESTIMATED SHIP 1-2 WEEKS ARO.\								
INITIAL: KIK		BUYER: N STEVE BAUMAN	RESALE:				TAX	132.97
QUOTE EXPIRES: 15-MAY-10		CUSTOMER TELEPHONE: (808) 885-7944	BUS: (808) 836-1371 FAX: (808) 833-0538				TOTAL	2,954.85

TRANSACTION IS SUBJECT TO THE TERMS AND CONDITIONS ON THE ACCOMPANYING EMAILED TERMS AND CONDITIONS DOCUMENT, INCLUDING THE DISCLAIMER OF WARRANTY.
 MATERIAL MAY NOT BE RETURNED WITHOUT PRIOR AUTHORIZATION. QUOTES ARE SUBJECT TO CREDIT APPROVAL
 FOR RELIAMARK BRANDED PRODUCTS LIMITED WARRANTY. PLEASE VISIT WWW.RELIAMARK.NET/WARRANTY.

Kaman Industrial Technologies provides innovative solutions to make our customers more productive, competitive and profitable.
 Material Safety Data Sheet (MSDS) available at <http://www.kamandirect.com/msds.htm>